

STOVAX

Fire Your Imagination

Heat Shield Kit



For use with
Vision and Vogue Freestanding Stove Ranges

Instructions for Installation

For use in GB & IE (Great Britain & Republic of Ireland).

IMPORTANT

These instructions are designed to complement the appliance installation and user guide in order to install a Vision or Vogue Eco Design Stove. This supplement should be read in conjunction with the supplied manuals to ensure all the correct installation procedures are followed in order to safely operate the appliance with a Heat Shield.

All kits should only be used in conjunction with Twin Wall Flue Pipe and the minimum height connection between the appliance and flue pipe.

DO NOT MODIFY THE HEAT SHIELDS.

Installation Instructions

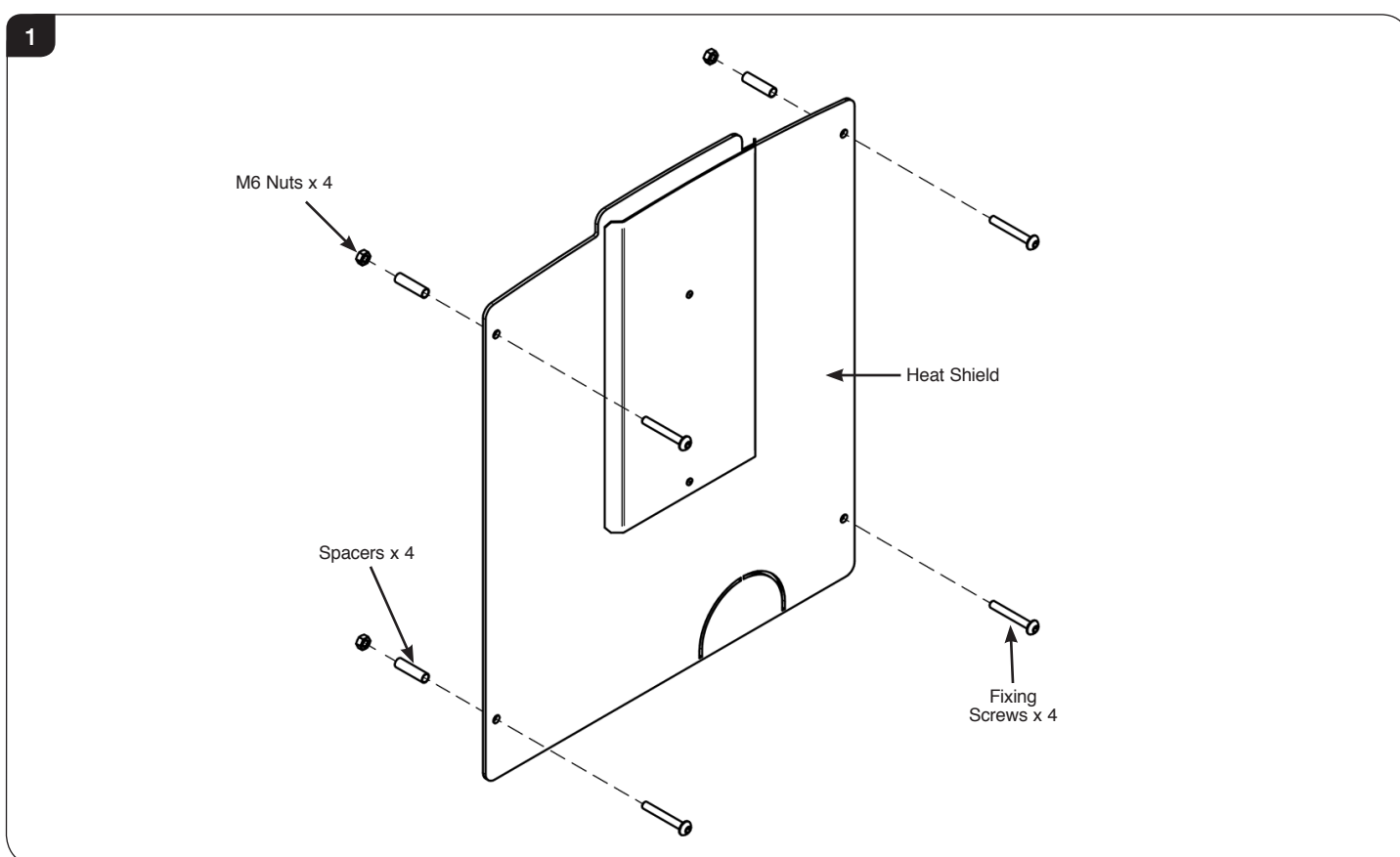
Covering the following models:

Model	Vision		
	Small	Midi	Medium/ Medium Slimline
Heat Shield Kit	RVN-SMHSK-E	RVN-MIDHSK-E	RVN-MEDHSK-E

Model	Vogue		
	Small	Midi	Medium/ Medium Slimline
Heat Shield Kit	VG-SMHSK-E	VG-MIDHSK-E	VG-MEDHSK-E

Top flue versions only. Not suitable for Boiler, Inset or Canopied Stoves.

1. Packing List



- 1 x Instructions
- 1 x Rear Heat Shield
- 4 x Fixing screws
- 4 x Spacers
- 4 X M6 Nuts

Tools Required

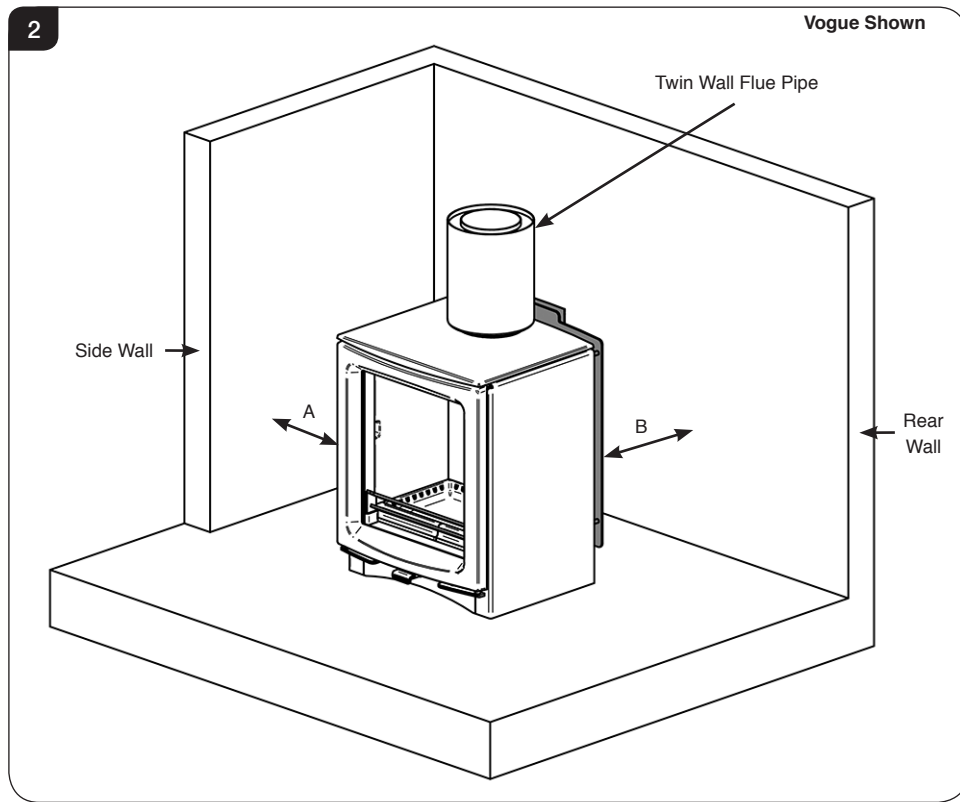
- 4mm Hex Key
- 10mm A/F Spanner



All kits should only be used in conjunction with Twin Wall Flue Pipe and an adapter connection between the appliance and flue pipe.

Installation Instructions

2. Options & Clearances



Fitting this heat shield allows a reduction in the clearance to combustible material dimensions to the values as listed:-

Model	Vision / Vogue Small	Vision / Vogue Midi	Vision / Vogue Medium / Medium Slimline
Side (A)	350	400	300
Back (B)	100	100	50

These dimensions are measured from the sides and back of the appliance.

Ensure the correct clearance to combustible materials is maintained from any connecting flue pipe, as detailed in Building Regulations Approved Document J.

Installation Instructions

3. Installation

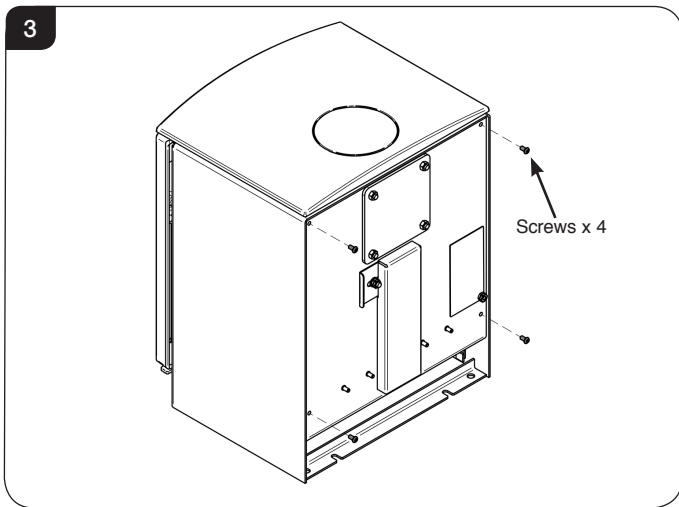


If an Outside Air kit has been fitted see section 6 before installing the Heat Shields.

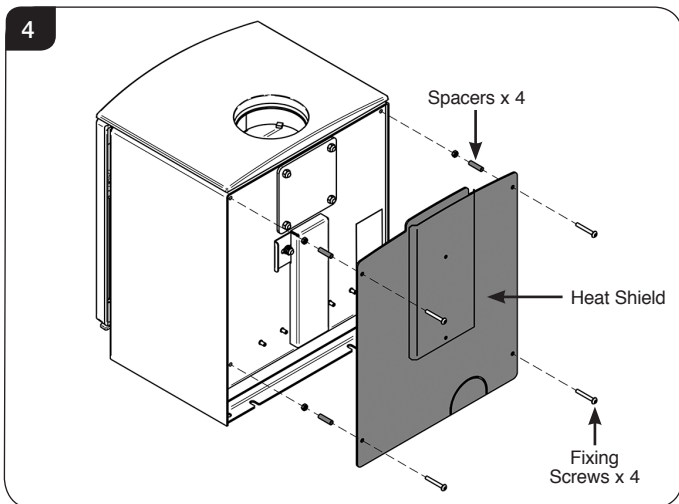
Ensure that access to the Dataplate is maintained.

- 3.1 Remove the 4 nuts and screws in the pre-drilled fixing holes before fitting the heat shield, see Diagram 3.

The nuts are located inside the firebox.

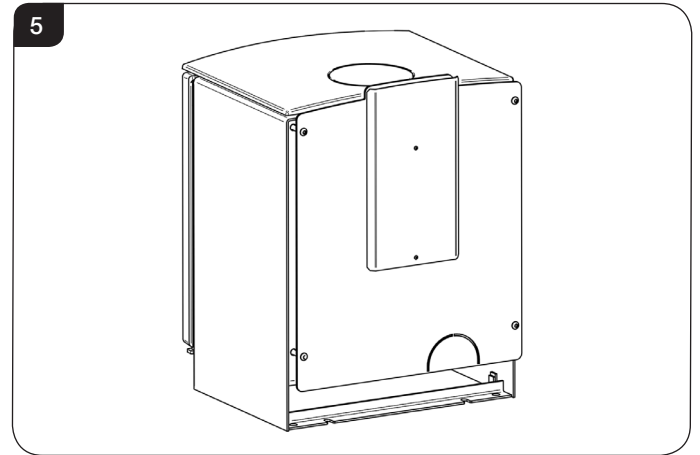


- 3.2 Align the Heat Shield with the back of the appliance. Loosely secure with the fixing screws and spacers, see Diagram 4.



DO NOT MODIFY THE HEAT SHIELDS

- 3.3 Tighten the fixing screws to finish the installation. Do not over tighten the fixing screws.

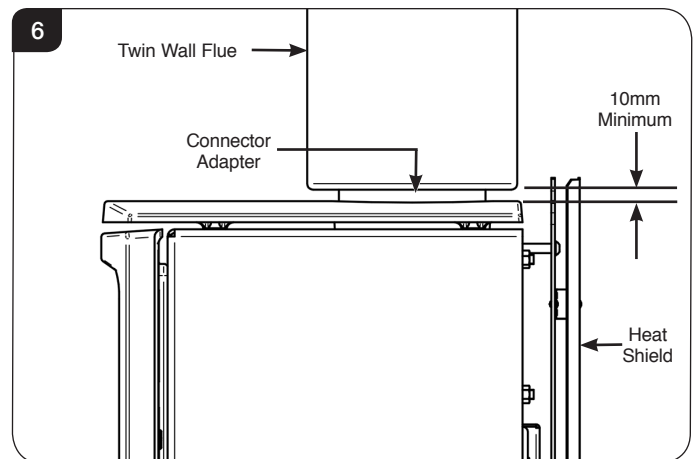


4. Flue Pipe Installation



IMPORTANT

When installing the flue pipe, there must be no exposed single wall flue & a minimum 10mm expansion gap must be left between Twin Wall flue & top face of the top plate, see Diagram 6.



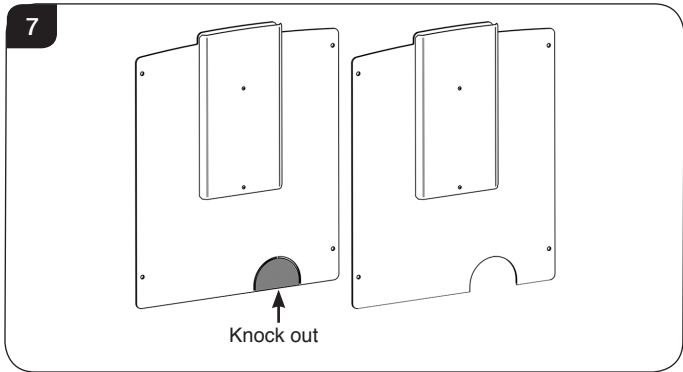
Ensure the correct clearance to combustible materials is maintained from any connecting flue pipe, as detailed in Building Regulations Approved Document J.

Installation Instructions

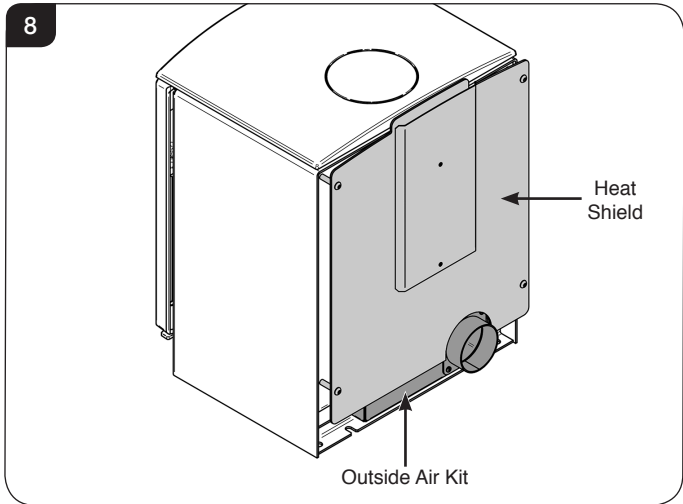
5. Heat Shields fitted with an Outside Air Kit

If the Heat Shield is to be fitted with an Outside Air Kit, the following steps will need to be carried out prior to installing the Heat Shield kit.

5.1 Knock out the pre-cut hole in the Heat Shield, see Diagram 7.



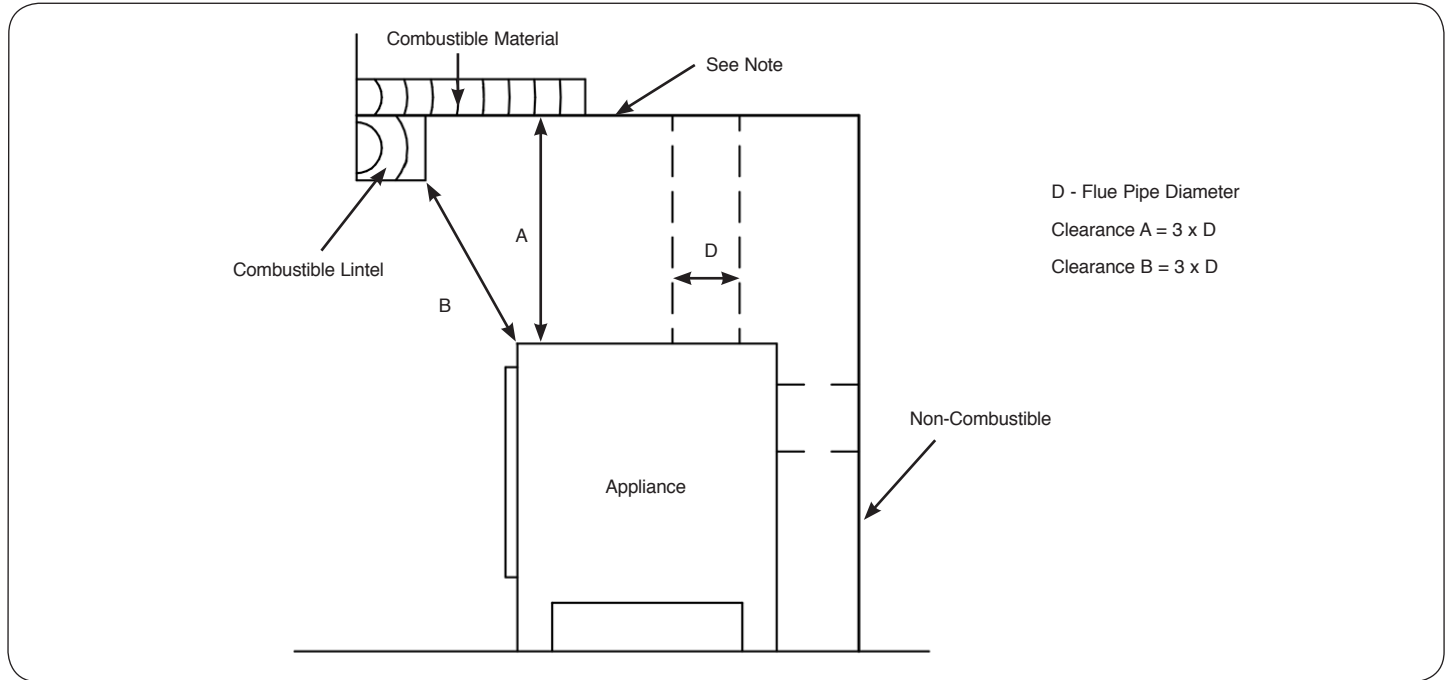
5.2 Follow the installation instructions supplied with the Outside Air kit (PM1323). Once installed, fit the Heat Shield over the top, see Diagram 8.



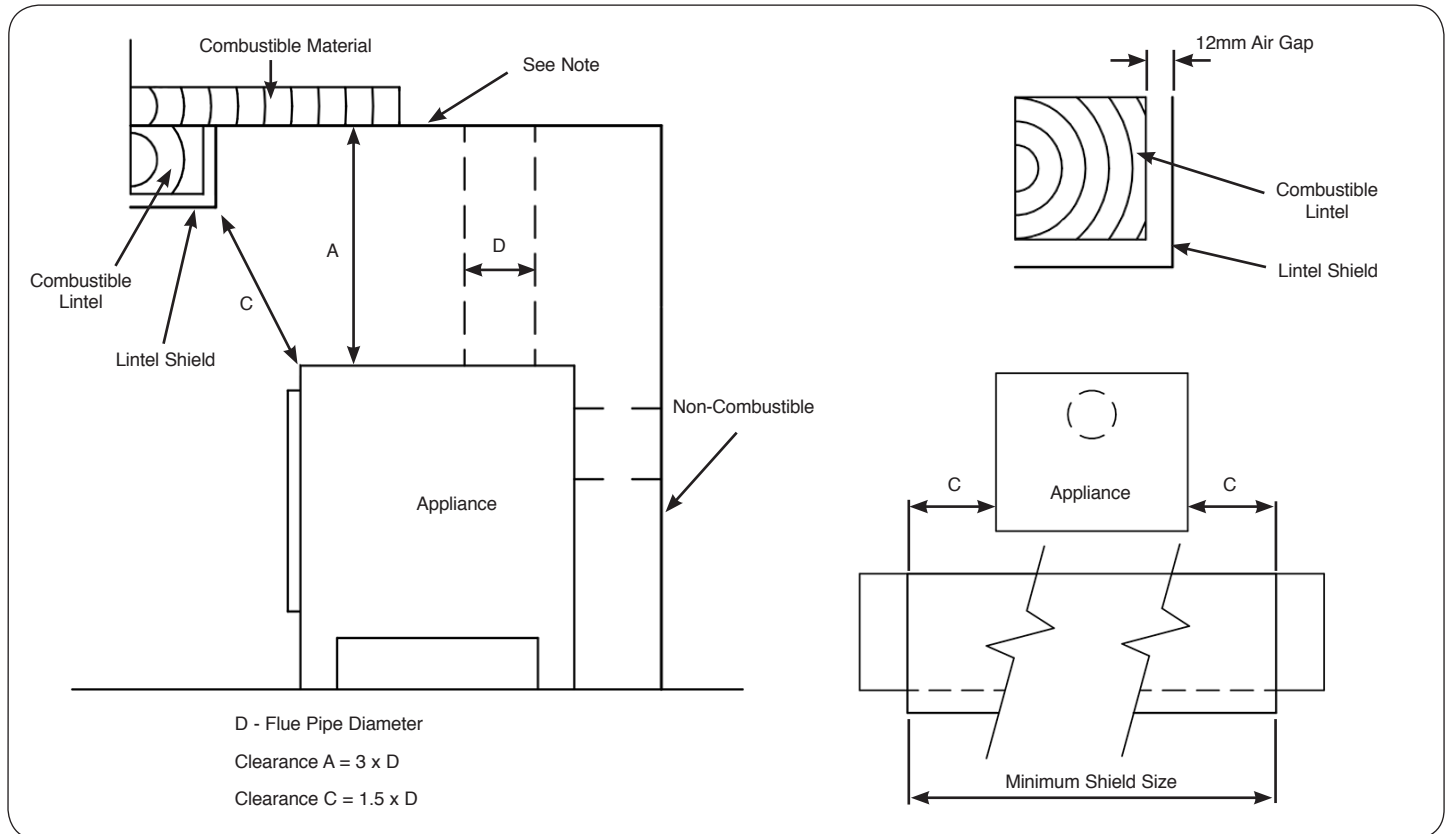
Additional Guidance on Clearances

To be used if there are no specific dimensions given in instructions

No Lintel Shield



Lintel Shield



- i** Note:
- A register plate above the appliance must be made from 1.5mm thick galvanised steel.
 - A Closure Plate above the appliance must be made from non-combustible material.
 - All Clearances from combustible materials to flue pipes must be as stated in Building Regulations Approved Document J.

Stovax Ltd, Falcon Road, Sowton Industrial Estate, Exeter, Devon, England EX2 7LF
Tel: (01392) 474011 Fax: (01392) 219932 E-mail: info@stovax.com www.stovax.com

E & O E