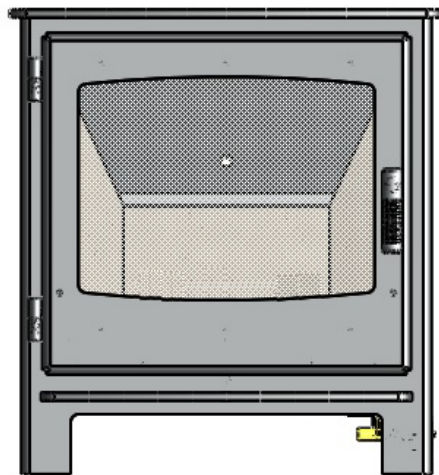


BROSELEY

Installation & Operating Instructions For LPG Q5 Stoves

IGNITE 5 GAS STOVE - (CD1)
HEREFORD 5 GAS STOVE - (CD2)
DESIRE 5 GAS STOVE - (SD1)

Manual Control
Conventional, Top or Rear Flue, LPG Gas Stove



PLEASE LEAVE THESE INSTRUCTIONS WITH THE END USER

Please note: Gas installations **MUST** only be carried out by installers who are Gas Safe registered.

Warning - Appliance should not be used if the glass in the door is cracked, damaged or broken.

Contents

Introduction	3
Packing List	3
Specification & Dimensions	4
Hearth Requirements	5
Chimney Requirements	6
Assembly	
Burner Installation	7
Mica Board Installation	8
Connecting the TTB Sensor	9
Ceramics Index	10
Positioning the logs / Fitting the Decorative Log Retainer	11-13
Gas Connection & Pressure Testing	14
Spillage Testing	15
Maintenance	16
Operating the Stove	17
Cleaning the Stove / Curing the Paint	18
Trouble-shooting	19-20
Servicing	21
Commissioning Form	22
Guarantee	23

Introduction

THANK YOU FOR PURCHASING A BROSELEY GAS STOVE

Broseley Fires Ltd, a family run company, was founded as an appliance and design development company in 1975.

Since then we have built up an enviable reputation for the quality, reliability and fuel efficiency of our stoves.

These instructions have been carefully prepared to guide the installer and end-user through the relevant methods and standards for installation of your new Gas Stove.

Correctly installed and operated, your stove will give you many years of warmth and reliability. Therefore, we would suggest that you read the whole instruction manual prior to handing it to your installer. That way you will have a clearer picture of what is involved.

It is required by law that the complete assembly, installation and commissioning of gas stoves is carried out by a professionally qualified and accredited gas fitter listed on the “**Gas Safe**” register.

THE INSTALLATION MUST BE IN ACCORDANCE WITH THE ‘GAS SAFETY INSTALLATION AND USE REGULATIONS’ IN CONJUNCTION WITH THESE INSTRUCTIONS AND THE RELEVANT ‘BRITISH STANDARDS CODES OF PRACTICE’ REQUIREMENTS AND THE RELEVANT ‘LOCAL AND NATIONAL BUILDING REGULATIONS’. A COMMISSIONING CERTIFICATE MUST BE LEFT WITH THE END CUSTOMER UPON FINAL COMPLETION AND THE COMMISSIONING FORM COMPLETED IN THE BACK OF THESE INSTRUCTIONS.

Packing List

Stove Box

1 x Stove Body
1 x Flue Spigot
1 x Burner (Attached)
1 x Instruction Manual
1 x Left hand side mica board (Attached)
1 x Right hand side mica board (Attached)
1 x Rear mica board (Attached)
1 x Top mica board (Attached)
1 x Flue blanking plate (Attached)
3 x M6 x 30 bolts
3 x M6 Washers
3 x M6 C/Sunk Screws
1 X Base Plate

Fibre Box (Packed outside Stove)

1 x Main Ceramic Base
4 x Various Sized Logs

Chimney closure plates are not supplied

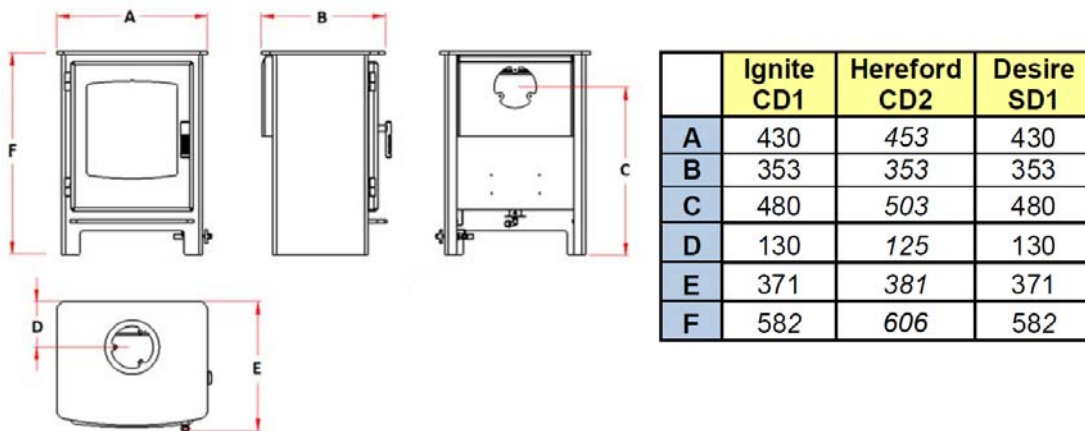
Specification

Heat Input (Gross)	5.0kW
Gas Category	I _{3P}
Supply Pressure	37 mbar
Gas Rate	0.181 m ³ /hr
Injector Size	7 x 0.45mm (L5)
Flue diameter	125mm (5")
Country of destination	GB, IE
Efficiency Class	Class 2
Nominal Output	4.2kW
NOx Class	4 Top Flue, 5 Rear Flue

Please note this product is designed to only use LPG Gas G31 Propane.

Dimensions

Ignite CD1 Q5 - WEIGHT 61 Kg
Hereford CD2 Q5 – WEIGHT 56 Kg
Desire SD1 Q5 – WEIGHT 58 Kg



All dimensions are in millimetres.

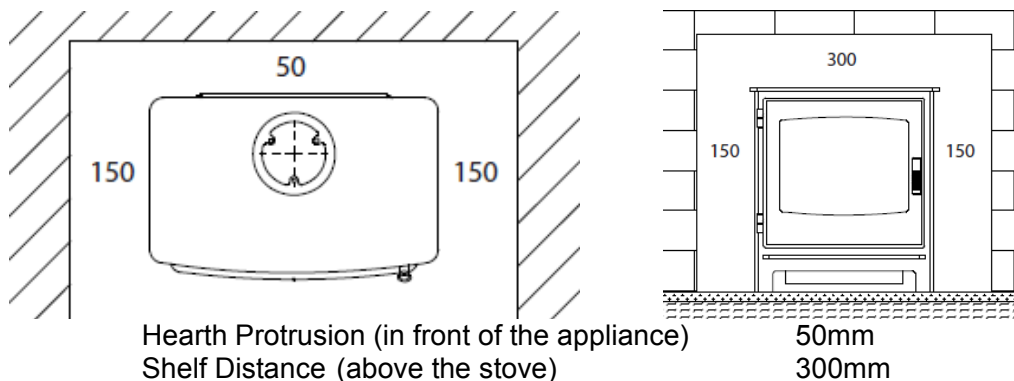
All parts of this appliance become hot during normal use. All parts of the appliance should be considered 'working surfaces'.

Hearth Requirements

The appliance needs to be located onto a solid non-combustible hearth with a minimum thickness of 12mm. The hearth must be capable of withstanding the weight of the appliance.

**NB Side measurements taken from the Lid of the stove (Dimension E on page 4):
Rear measurement taken from the dilution box**

Ensure all minimum clearances to combustible materials are complied with as below:



The specified minimum clearances provide the minimum distance to combustible and non-combustible materials. If the appliance is intended to be installed into a non-combustible opening, the clearances to the sides and above can be reduced. However it is recommended that the specific minimum clearances are maintained, irrespective of the materials used in the construction of the opening. This has been tested and approved, to allow adequate air flow and access to the controls, as well as allowing access for smoke tests and future maintenance of the flue and the appliance.

The clearance to the rear of the appliance must always be a minimum of 50mm. Clearances to combustible materials cannot be reduced

Please note the gas supply connection to the appliance is to the right hand side rear of the stove. The connection requires an 8mm-diameter semi-rigid pipe, not more than 1 meter in length.

Additional Requirements

- Curtains should not be positioned above the appliance at a distance of less than the minimum specified for shelves
- An additional guard is to be used to take account of the special hazards that exist in nurseries and other places where there are young children or aged or infirm persons present.

Chimney Requirements

Please note Broseley Fires do not provide flue pipes, closure plates or any other associated accessory.

Top or Rear Flue Outlet

The stove must be installed in accordance with current gas and buildings regulations BS5871: Part1. The appliance can be installed in any adequate area suitable for solid fuel fires and stoves. It can use a class 1, class 2 and pre-cast flue.

For pre-cast flue installations it is ESSENTIAL that a sealed connection is made into the actual flue system (a void behind a closure plate is not permitted). Please refer to the codes of best practice for further advice on pre-cast flues. Before you install the stove, make sure the chimney flue outlet is correctly positioned to align with the flue outlet on the stove and that the chimney is in good condition. If not, a chimney liner must be installed or a suitable class II gas flue used. A draught is necessary to ensure the products of combustion are fully evacuated.

It is recommended that the flue run is as straight as possible. The flue must have a minimum vertical height of 3 metres to ensure adequate draught. You can have a maximum of four bends in the run, each bend must not exceed 45° and an additional metre of vertical flue should be provided for each bend. Ideally you should have a minimum vertical section of 600mm before any bend immediately off the top of the appliance, however it is permitted to use a 45° bend straight off the appliance provided you have an adequate flue draft.

Prior to installation, the installer should ensure that the flue is free from obstruction and any dampers must be fixed in a permanently open position. Ensure the chimney is not closed and that it has been swept and subsequently smoke tested.

Make sure that rain, birds or any foreign body cannot get into the chimney to cause damage or blockage. This problem can normally be overcome by fitting an approved gas cowl. It is essential for the effective running of your stove that the chimney draws properly to allow the products of combustion to escape.

VENTILATION (GB ONLY)

The gas stove is rated at less than 7kw and therefore does not normally require additional ventilation in the room (BS5871 – part II).

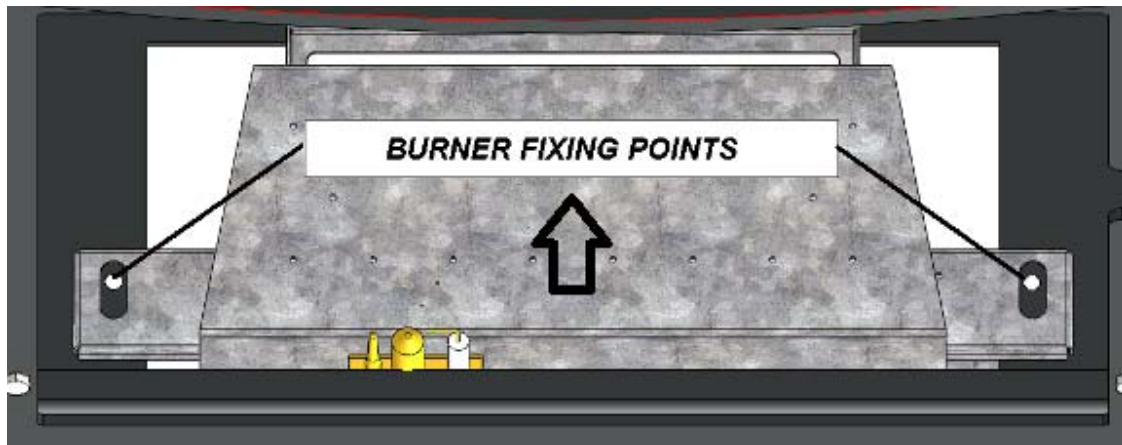
Flue Spigot Connection

Attach the supplied 5" diameter spigot to the top or rear of the stove using the three M6x40 bolts and washers provided. The blanking plate (supplied) must be fitted over the remaining flue outlet using 3 off m6 Countersunk screws.

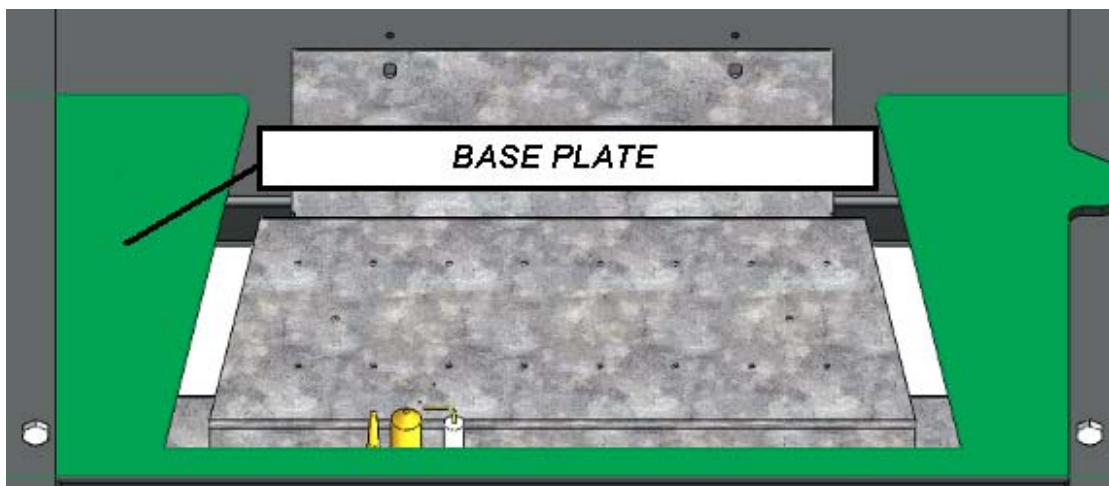
Assembly - Burner Installation

The burner will come pre-fitted, however please ensure all components are present and fitted as per the information below prior to commencing installation. You will need a pozi drive screwdriver when fitting/replacing these items.

- 1) Remove the stove body from its packaging and stand it in position.
- 2) To open the door, remove the handle by rotating it anti-clockwise until it clears the thread. The handle acts like a nut on a thread and once removed will allow the door to open fully.
- 3) Insert the burner end with the control knob first followed by the other end of the burner locating the burner bracket onto the side fixing points.
- 4) Fasten the burner into position using two (2) M6x40 bolts and washers provided, the burner needs to be pushed back to the rear of the stove. The front edge of the burner brackets should be flush with the front edge of the brackets on the stove body.

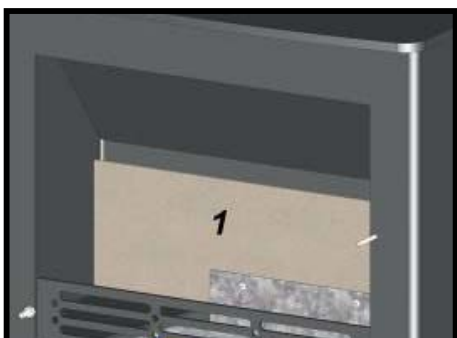


- 5) The stove base plate can now be fitted. This plate rests on the base on the stove

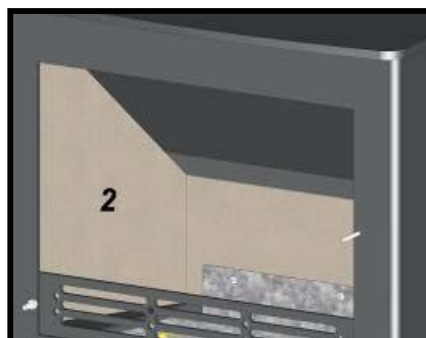


- 6) Next fit the mica boards as detailed in the next section.

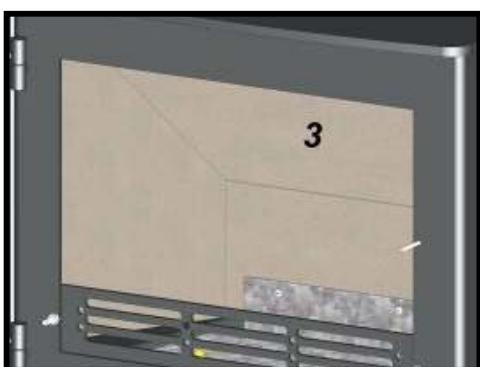
Assembly - Mica Boards



First fit the rear mica board as shown above.



Now fit one of the side mica boards ensuring that the board is snug between the front of the stove and the rear mica



Next rest the top mica board onto the side board (this board will need supporting whilst the final side board is fitted).

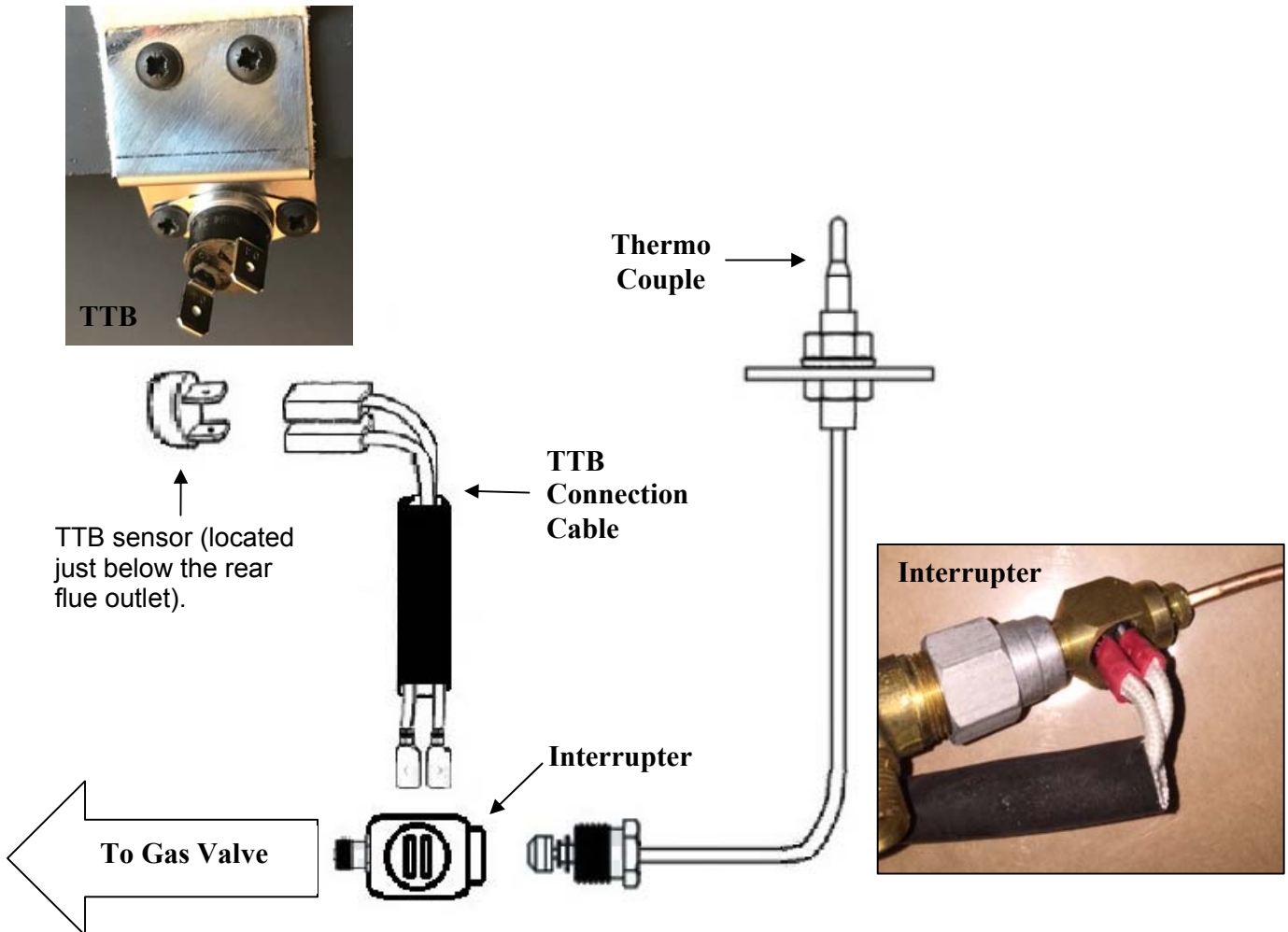


Finally fit the reaming side mica board and allow the top board to rest down onto it (the top board should now be supported by both the side and rear mica boards)

Please note you will also need to remove the pilot shield from the pilot before fitting the ceramics (this protects the pilot during transit).

Assembly - Fitting TTB sensor

With the burner installed, thread the TTB connection cable from the interrupter to the TTB sensor (mounted on the rear panel of the stove).



Assembly – Ceramics Index

Only the ceramics supplied with this appliance should be used. The ceramics should only be laid as described in these instructions.

Before any ceramics are placed in position, ensure that the pilot is not obstructed, and the burner is operating correctly.

Broseley Fires Ltd accepts no responsibility for any injury sustained whilst handling hot ceramics. Ceramics which are placed other than in accordance with these instructions will be the sole responsibility of the fitter to rectify, and Broseley Fires will not be liable for any associated costs.

Before proceeding with the positioning of the logs, ensure they are all present. Leaving them in the packaging will allow you to locate them easier.

Ceramic Index Main Ceramic Base x1



Ceramic Index Loose Logs x4

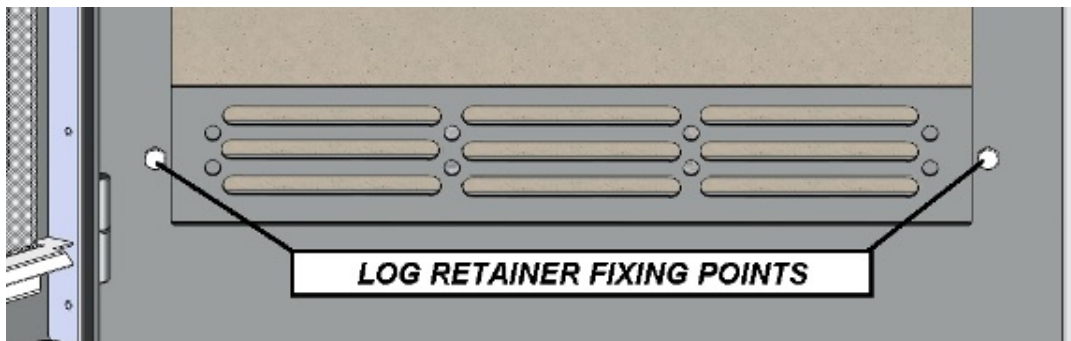


Assembly – Positioning of the Logs

STEP 1 – Place the main ceramic base in position as below



Using the 2 off M5 C/Sunk Bolts provided, locate the decorative trim behind the stove opening as shown and secure in position.



Although it is possible to position all of the ceramics first, we recommend fitting the log retainer at this point as it will make things easier.

Assembly – Positioning of the Logs

STEP 2 – Place the front log with the two cut outs in on the front of the main base so it touches the rear of the log retainer



STEP 3 – Place the large rear log in position across the rear of the base as below



Assembly - Positioning the Logs

STEP 4 – The final log can now be positioned across the centre, ensure the right hand part of the log (as you look at it) is touching both the front log and right hand side of the main base so it is tilted back over. The left hand side of the log needs to be placed between the two stand offs as shown.



STEP 5 – Finally place the last log in the rear right hand corner of the stove as below.



Any soot accumulation within the appliance (including visible soot on logs) indicates that the ceramics need to be re-positioned. It is important that flames from the burner are not impinged by any of the ceramics, small adjustments may be necessary.

Assembly - Gas Connection & Pressure Testing

A minimum 15mm-diameter gas supply pipe must be used to within 1 metre of the installation with the final connection to the stove to be completed with the suitable 8mm semi-rigid gas pipe. The 8mm pipe should be connected to the inlet of the gas valve using the nut and 8mm olive provided. Support the control whilst finally tightening the supply pipe.

The gas supply connection to the appliance is located at the right hand side rear of the stove. The connection requires an 8mm-diameter semi-rigid pipe, not more than 1 meter in length.

Pressure Testing

Always make sure that there is adequate gas pressure and volume to the stove. The relevant pressures are on the ID plate on the gas control knob.

1. **For propane gas, this is 37mbar** measured at the inlet connection to the stove with the appliance in the full rate position.
2. Ensure that the gas pressure to the stove is maintained when it is operating at the same time as other appliances in the building and that a suitable pressure gauge is used i.e. a manometer. If the gas pressure is not as per above it will be the sole responsibility of the fitter to rectify and Broseley Fires will not be liable for any associated costs.
3. All figures obtained during pressure testing should be recorded on the commissioning form found at the end of these instructions.

Ventilation (GB only)

The gas stove is rated at less than 7kw and therefore does not normally require additional ventilation in the room (BS5871 – part II).

Spillage Testing

A Spillage Test **MUST** be carried out before the installed stove is left with the customer.

Carry out the test by first closing all doors and windows in the room containing the fire. Ensure that the fire is burning at full rate for a minimum of 10-15 minutes.

Using a lighted smoke match, run it along under the rear edge of the stove. The draught diverter box is situated at the rear of the stove, the entry being in the rear panel for the stove. Observe the smoke being drawn into the dilution box. After 10 minutes repeat the test

If there is an extractor fan in a nearby room the spillage test must be repeated with the fan running and all connecting doors between the fire and fan left open.

If there are problems, the chimney / flue may require attention, see “Chimney Requirements” section.

Spillage Monitoring System

This appliance is fitted with an atmospheric sensing spillage monitoring system, in the form of an oxygen depletion-sensing pilot. This is designed to shut down the fire within a safe period if there is an excessive build-up of products of combustion within the room space. This would usually only occur if the flue path suffered severe blockage and / or ventilation was severely impeded.

THE FOLLOWING ARE IMPORTANT WARNINGS RELATIVE TO THE SPILLAGE MONITORING SYSTEM

1. The installer must not attempt any adjustments to the spillage monitoring system.
2. There must be no attempt to disable the spillage monitoring system.
3. It is not possible to replace individual parts of the pilot assembly on the appliance only a complete pilot assembly (including thermocouple) may be fitted in the event of a replacement being necessary. When the spillage monitoring system is replaced, only complete and original manufactures' parts may be fitted.
4. Should the appliance turn itself off, wait for a minimum of 3 minutes before attempting to re-light. In the event of your stove tripping out, consult your installation engineer to have the flue / chimney checked.

Maintenance

Door adjustment

In the case of the door rope not providing an adequate seal to the room, products of combustion may enter the room (see warning notes), to ensure an adequate seal the door may need to be periodically adjusted as the rope seal wears with use.

Hinge Adjustment (seal on Left hand side is not compressed): DESIRE (SD1) AND IGNITE (CD1) MODELS ONLY

- Ensure that the stove is cold before proceeding
- Remove the door by lifting the door off the hinges
- Loosen the Hinge Locking nut inside the stove
- Rotate the hinge by 1 turn (clockwise to tighten seal, anticlockwise to loosen seal) on both the top and bottom hinge, this ensures that the door seal will compress or loosen evenly
- Re fit the door back onto the hinges and tighten the locking nut inside the stove
- Check the seal provides an adequate seal.



Operating the Stove

It is important to read these instructions thoroughly before lighting the stove.

The gas stove operates with a traditional permanent pilot light.

The knob for ignition and power control are located on the lower right hand side of the stove, the indicator in the plate shows the knob position (Marked on knob)

The pilot light is located at the front left corner of the main ceramic.

If the Flame Supervision Device Actuating Flame (the pilot light) is extinguished by intention or not, no attempt should be made to re-light **until 3 minutes have elapsed**.

IGNITING THE PILOT AND USING THE HIGH/LOW FUNCTION

1. From the start position, depress the control knob fully.
2. Whilst depressed, turn knob sharply 90 degrees anti-clockwise to "pilot" setting. You should feel some resistance and hear a click. Repeat until pilot light is visibly lit. You should be able to see the spark from the electrode and once lit the pilot flame via the small hole in the main ceramic base.
3. **Keep knob depressed at this point for 15-20 seconds, then release.**
4. Upon releasing, ensure the pilot is still lit, if not, repeat above steps.
5. With pilot established, turn the knob Anti-clockwise to select the low flame setting. Turning the control further anti-clockwise you will be able to select the high flame setting.
6. From the high setting you can select low by turning the control knob clockwise.

EXTINGUISHING THE STOVE FULLY

1. From any heat setting, or the permanent pilot, depress control knob and turn clockwise to "OFF" position.

Cleaning the Stove / Curing the Paint

Important Note:

Should the glass door become broken or damaged in any way, turn your stove off and do not attempt to re-light it. Contact your dealer for a replacement to be fitted before relighting the appliance. The glass used in this appliance is ceramic type glass suitable for operation up to 750 degrees. Do not use any other types of glass in this appliance.

Cleaning

We recommend only doing this when the stove is cold using a soft brush to clean any of the stove surfaces, this is normally sufficient to remove dust and general debris. For stubborn marks you can use a damp lint free cloth, ensure that all surfaces are dried off immediately. We do not recommend using any kind of chemicals or abrasive materials. It is possible to touch up the paint using the original black stove paint however this new paint will then need to cure.

Curing the paint

It is important to note that upon initial lighting of the stove you will notice a strong odour this is the paint curing and is completely normal.

Most high temperature paints operate in the same way. They use a resin which dries at room temperature and a silicon resin which cures at high temperatures. When the stove is burned the dry resin burns away and the silicon cures. This transition occurs about 240 degrees C / 475 degrees F.

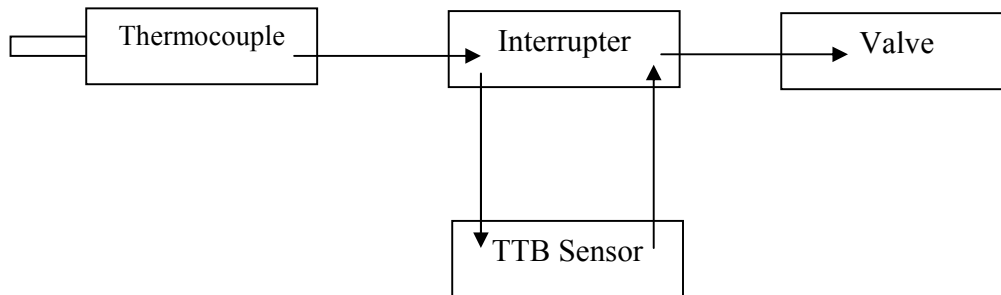
Light the appliance and set the control to the "HIGH" position for the maximum output. The surfaces of the stove will take an hour to reach maximum paint curing temperature. The longer you can leave the stove at this temperature the faster the paint will cure (this could involve several prolonged periods)

IT IS NORMAL FOR THE STOVE TO GIVE OFF ODOURS WHILST THE PAINT, SEALANT AND METAL COMPONENTS.

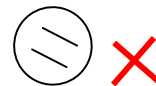
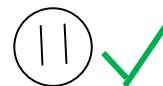
Trouble-shooting

The gas pilot will not ignite or stay lit

- Ensure the gas is turned on at the appliance and the meter / cylinder.
- Is there a strong spark being generated, check connections if not.
- The pilot gas button must be held in for at least 20 seconds once the pilot is established to ensure the safety thermocouple is heated sufficiently.
- Ensure that both ends of the TTB connection cable are firmly connected. Instruction for connecting the TTB is given earlier in this instruction (page 9). You can also rule out a faulty TTB sensor by connecting the two ends of the TTB connection wire together using a metal paper clip.
- Make sure that the brass interrupter (connects thermocouple and TTB to valve – shown on page 9) is not too loose. You should not be able to move the interrupter by hand. Any break in the following circuit will cause the pilot not to stay alight as the electrical charge from the thermocouple needs to arrive at the valve to keep it lit:



- Take care not to overtighten the interrupter unit into the valve as this can twist the spade connections. As you look at the back of the interrupter the spade connections should look like two vertical lines (if they are more like 45° then its too tight)

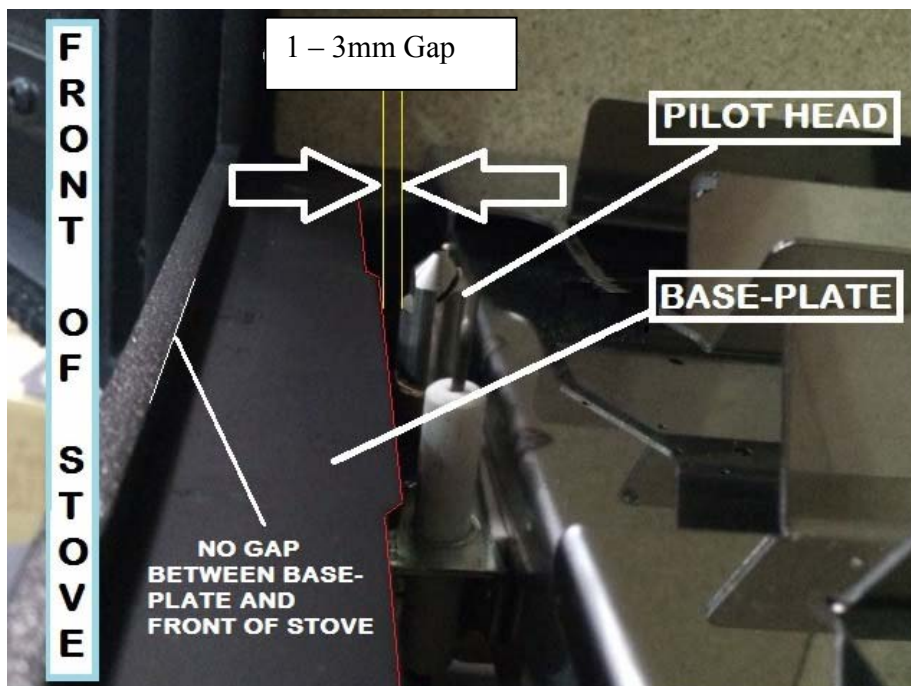


- Ensure that the pilot injector is not obstructed or blocked and it is free from any dust or dirt.
- Ensure gas pressures and flow rates are correct, as this will prevent ignition of the pilot. An indication of high pressure can be a whistling sound from the pilot.
- Ensure that the pilot assembly has not been damaged in transit. Be sure to check the gap between the thermocouple and electrode is sufficient and that the spark is not arcing elsewhere, this is a very delicate device.
- The pilot flame should burn with a strong blue flame. The flame should be focused on the tip of the thermocouple.

Trouble-shooting

The main burner does not seem to burn correctly or will not stay alight

- Ensure gas pressures and flow rates are correct.
- Test with all ceramics removed
- Confirm that the flame pattern is even across the surface of the burner by removing all of the ceramics. Only do this once pressures and flow rates are confirmed as being correct.
- Double check all ceramics are re-positioned correctly.
- Ensure you have between 1mm and 3mm gap from the head of the pilot to the base plate (base plate may have moved in transit)



Once all the above checks are completed, leave the appliance in a fully commissioned state.

Servicing Instructions

Servicing should be carried out annually by a qualified installation gas safe engineer.

- To open the door, remove the handle by rotating it anti-clockwise until it clears the thread. The handle acts like a nut on a thread and once removed will allow the door to open fully.
- Remove the logs and clean any dust and debris from the top of the burner unit and the inside of the stove. A vacuum cleaner can be used, but take care around the pilot assembly to prevent accidental damage. A clean soft brush can also be used. Take care not to brush any debris towards the pilot as this may cause an obstruction in the jet.
- Clean any dust / debris from each individual ceramic using a very soft brush.
- Check the condition of the ceramics. Damaged ceramics will affect the efficient operation of the stove and will need to be replaced.
- Clean the glass with a soft cloth.
- The outside of the stove can be cleaned as per instructions given previously.
- Re-lay the ceramics and close the door ensuring an air tight seal.
- Ignite the appliance and observe an even flame pattern.

Carry out all necessary final checks and leave the appliance in a fully commissioned state.

Commissioning Form

THIS SECTION MUST BE COMPLETED AND SIGNED BY THE INSTALLATION ENGINEER

PLEASE LEAVE WITH THE CUSTOMER AND THE APPLIANCE.

Size of Governor setting: (i.e.) Propane Gas 37mbar.

Length and size of gas supply: _____

Meter pressure Stove only on: _____

Meter pressure with all other appliances on: _____

Burner pressure Stove only on: _____

Burner pressure with all other appliances on: _____

Gas rate - Propane Gas - Time for 1 cubic foot in seconds: _____

Top or Rear Flue Installation: _____ Overall length of flue: _____

Is there any spillage: _____ Is the draught excessive: _____

Is there any permanent ventilation in the room: _____

Is the TTB connected correctly (both ends): _____

Is the aeration of the pilot correct: _____

Does the flame encircle the Thermocouple: _____

Installation Engineers Name:

Installers _____

Address _____

Post Code: _____

Telephone: _____

Fax: _____ Mobile: _____ Other: _____

Gas Safe Registration No:

Signed: _____ Date: _____

Guarantee

Your decorative gas stove, when installed in accordance with the installation instructions and operated in accordance with these instructions should provide many years of safe and efficient operation.

Should you wish to claim under the warranty, please contact the supplier / dealer from whom you purchased the appliance. Do not claim directly to Broseley Fires, or Be Modern, as they are unable to process any direct claim from an end user.

We thank you for purchasing our product and trust it will provide excellent service.

This appliance carries a guarantee of One (1) Year.

We agree to repair free of charge or, at our option, replace the appliance or part thereof, which may prove to be defective within the guarantee period.

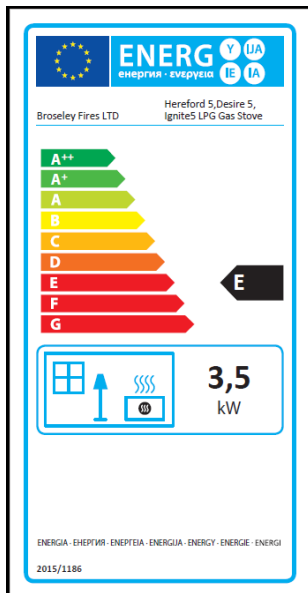
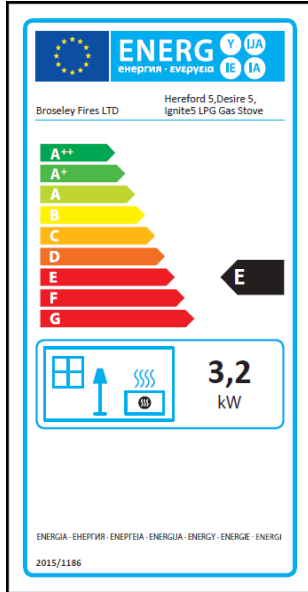
The guarantee is void if:

- The appliance is not installed and operated in accordance with our instructions, or
- Repairs or modifications have been carried out by the purchaser or any third party not authorised by us or:
- The appliance has been misused or accidentally damaged, or
- Damage is due to 'fair wear and tear.' or
- The appliance or defective component(s) are not returned to us, prepaid postage.
- The appliance has not been serviced annually by a 'Gas Safe Registered' engineer.

The rights given in this guarantee are limited to the UK mainland and are in addition to any to which you may have a statutory entitlement.

Please retain your purchase receipt. We will need to see this in the event of a claim under warranty.

<p>Broseley Fires Ltd, First Floor, Unit B Knights Court, Archers Way, Battlefield Enterprise Park, Shrewsbury, Shropshire, SY1 3GA Tel: 01743 461444 Fax: 01743 461446 http://www.broseleyfires.com</p>	<p>Be Modern Ltd. 19 - 34 Bedesway, Bede Industrial Estate, Jarrow, Tyne and Wear, NE32 3BE Tel: 0191 4898266 Fax: 0191 4834148 http://www.bemodern.co.uk</p>
---	---



Product Fiche		
Manufacturer : Broseley Fires Ltd		
Model No.	Hereford 5, Desire 5, Ignite 5 LPG Top Flue	Hereford 5, Desire 5, Ignite 5 LPG Rear Flue
Fuel Type	Natural Gas I2H	Natural Gas I2H
Energy Efficiency Class	E	E
Indirect Heating Functionality	No	No
Direct Heat Output kW	3.5kW	3.2kW
Indirect Heat Output kW	N/A	N/A
EEl	68%	63%
Useful Energy Efficiency (NCV)	High : 77%	High : 72%
Useful Energy Efficiency (NCV)	Low : N / A	Low : N / A
Nominal Heat Output	High : 3.5kW	High : 3.2kW
Nominal Heat Output	Low : 2.1kW	Low : 1.9kW
Heat Output Temperature Control	Two Manual Stages	Two Manual Stages
Permanent Pilot Power (kW)	N/A	N/A
Space Heating Emissions NOx (GCV)	130mg/kWh	130mg/kWh

Important Note:

The energy efficiency class of this product is defined using a seasonal efficiency calculation which reduces the actual net efficiency of the product where the use of automated heat control, thermostats, window open sensors and timers are not used. This is not to be confused with the net efficiency, or useful efficiency of the appliance (shown in the tables above).

This product MUST be installed by a Gas Safe Registered Installer. Full details are provided in this manual.

**Broseley Fires Ltd, First Floor, Unit B Knights Court, Archers Way,
Battlefield Enterprise Park, Shrewsbury, Shropshire SY1 3GA**