



charnwood

COVE 2B

Operating & Installation Instructions

COVE 2B

CONTENTS

OPERATING INSTRUCTIONS

Fuels	3
Door Operation	3
Multifuel Grate	3
Lighting	4
Controlling The Fire	4
Riddling	4
Refuelling	4
Ash Clearance	4
Special Points when burning Coal	5
Special Points when burning Wood & Peat	5
Overnight Burning	5
Maintenance	5
Throat Plate & Flueway Clearing	6
Chimney Sweeping	6
Trouble Shooting	6
If You Need Further Help	8

INSTALLATION INSTRUCTIONS

Health & Safety Precautions	9
Specification	9
Chimney	9
Hearth & Fire Surround	9
Central Heating System	10
System Controls	11
Connection to Flues	11
Soot Doors	11
Unpacking The Stove	11
Fitting The Stove To Its Stand	11
Pre Lighting Check	12
Commissioning	12
Dimensions	13
Parts Lists	14
Certification	15

Before lighting the stove check with the installer that the work and checks described in the Installation Instructions have been carried out correctly and that the chimney has been swept, is sound and free from any obstructions. **Do not light the stove before the boiler has been filled with water - this can damage the boiler and will invalidate the guarantee.** The stove is not suitable for use in a shared flue system.

Your Cove stove has been designed to work with the minimum effort. If any operation - such as riddling the grate or opening and closing the door - begins to require extra force then the cause must be investigated and corrected to prevent damage being caused to the stove.

Remember that the stove will be hot and is made from hard material. Ensure that you have good balance before operating the fire.

When using the stove in situations where children, aged and/or infirm persons are present a fireguard must be used to prevent accidental contact with the stove. The fireguard should be manufactured in accordance with BS 8423:2002.

Do not use an aerosol spray on or near the stove when it is alight. There is a risk of explosion or flash ignition of the spray.

This stove is capable of intermittent or continuous operation.

FUELS

Please pay careful attention to the special points made with each type of fuel as they will help you to get the best from your stove. It must be remembered that only smokeless fuels may be burnt in smoke control areas on this stove. If you are not sure whether you are in a smoke control area, then please check with your Local Authority.

At first you may find it helpful to try several fuels to find the most suitable. If you are unable to obtain the fuel you want ask your supplier, or an approved fuel distributor to suggest an alternative.

PETROLEUM COKE IS NOT SUITABLE FOR USE ON THIS APPLIANCE. ITS USE WILL INVALIDATE THE GUARANTEE.

Smokeless Fuels

Only authorised smokeless fuels may be burned in smoke control areas on this appliance. Your local fuel supplier or stove shop will be able to advise you which fuels are available locally. Take care to only burn good quality fuels in order to obtain the greatest efficiency and to maintain the life of the appliance.

Coal

Housecoal doubles, trebles or cobbles may all be burnt. Do not use singles, small nuts, or coal dust. It is important that large size coal is used (ie. larger than 2 inch or 50 mm in size). The coal should be dry.

When burning coal a little extra care is needed. Please take note of the section "Special Points For Burning Coal".

Wood

Only dry well seasoned wood logs should be burnt on this appliance as burning wet unseasoned wood will give rise to heavy tar deposits in the stove, on the glass and within the chimney. For the same reason hard wood is better than soft wood. Burning wet unseasoned wood will also result in considerably reduced outputs. The wood logs should be cut and split and then left to season in a well ventilated dry place for at least one year but preferably two years before use.

Peat

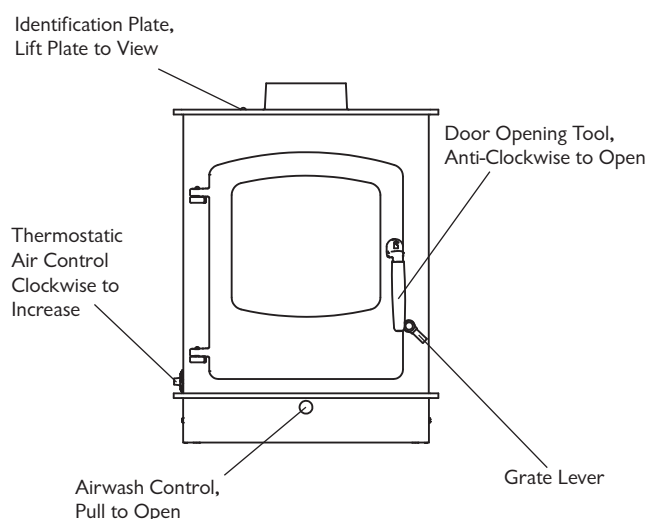
Ensure that the peat is well dried before use. Burning wet peat will give rise to heavy tar deposits and reduced outputs.

DOOR OPERATION

The door handle has been carefully designed to be removed from the stove during normal operation and re-fitted prior to loading and de-ashing. However, if you need to open the door when the fire is running at maximum then the additional use of a cloth or glove may be required.

Take care not to touch the door as it will be hot when the fire is burning. Turn the door handle anti-clockwise to open, and clockwise to close.

Fig. 1. Stove Controls



MULTIFUEL GRATE

Your Charnwood stove is fitted with a multifuel grate which enables both solid fuels and wood to be burned equally effectively. The grate has two positions:

1) In the solid fuel position the grate bars are vertical with gaps in between allowing the primary combustion air to come up through

the grate and through the fuel bed.

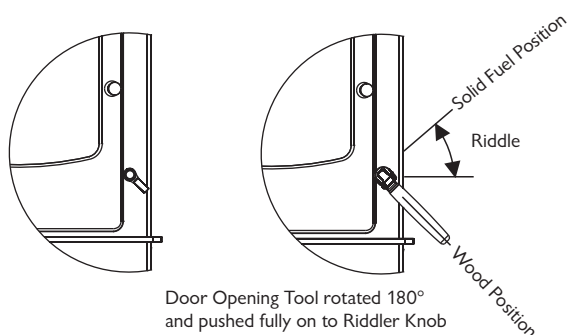
2) In the wood position the grate bars are horizontal, allowing the combustion air to come round the sides of the grate and over the top of it. When in the wood position ash is able to build up on the grate as is necessary for effective wood or peat burning.

Movement of the grate from one position to the other is effected using the tool supplied as shown in Fig.2. The grate is put into the solid fuel position by moving the tool up until the handle is in the 1 o'clock position. The grate is put into the wood position by moving the tool down until the handle is in the 5 o'clock position. To riddle the appliance when burning solid fuels the tool should be moved between the 1 o'clock and 3 o'clock positions several times. When burning wood or peat the ash should be allowed to build up and riddling should only be carried out once or twice a week.

LIGHTING

The stove may be lit using dry kindling wood and paper or fire lighters. Set the grate into either the closed position or the open

Fig. 2. Multifuel Grate



position as required. Place the paper, or fire lighters, and kindling on the grate and cover with a few small dry logs. Open the air controls fully (see Fig. 1). Light the paper or fire lighters. Close the door until the fuel is well ignited then load with fuel. Once the fire is up to temperature the airwash system will begin to work, so allow the fire to become hot before adjusting the air controls to the required setting.

On initial lighting, the stove may smoke and give off an odour as the silicon paint with which the firebox is painted reacts to the heat. This is normal and will cease after a short time, but meanwhile the room should be kept well ventilated.

At first only light a small fire and burn it slowly for two hours to allow any residual moisture in the bricks to evaporate.

When relighting the stove, riddle slightly, and then empty the ashpan.

CONTROLLING THE FIRE

The rate of burning and hence the output is regulated by the control knob on the side of the fire and the airwash control (see Fig.1).

The control knob is linked to a thermostat which senses the boiler temperature. The number at the front of the knob is the number at which it is set. Turn the knob clockwise to increase the water temperature or anti-clockwise to decrease.

The airwash control should be kept at least slightly open most of the time to keep the glass clean. It may be fully opened when rapid heating is required or to help clean any deposits from the glass. It will not be possible to keep the glass clean if this control is fully closed, particularly immediately after refuelling.

For correct firing we recommend the use of a stove pipe thermometer which may be purchased from your supplier or from ourselves.

RIDDLING

When burning wood, ash should be allowed to build up and only riddled when the ash begins to cover the slots in the rear fireplate. The fire should be riddled with the door shut (see Fig. 2). Place the tool onto the riddling lever and rotate between the 1 o'clock and 3 o'clock positions several times. Too much riddling can result in emptying unburnt fuel into the ashpan and should therefore be avoided. After riddling, the grate should be put back into the position as required (the tool should be in the 1 o'clock position for open grate or in the 5 o'clock position for closed grate).

REFUELLING

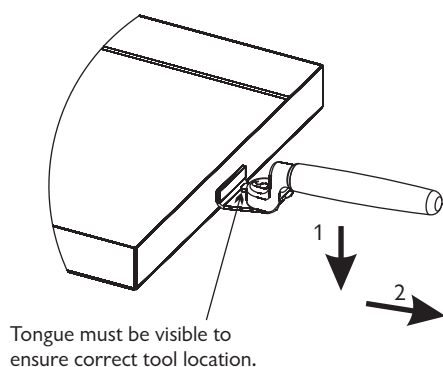
Keep the firebox well filled but do not overfill to prevent fuel from spilling over the top of the front fire bar. Logs should be evenly distributed filling across the fire bed to give the most pleasing flame pattern.

Care should be taken especially when burning wood that fuel does not project over the front fire bar or damage to the glass may be caused when the door is closed. It can also cause the glass to black up. Maximum filling height is such that logs cannot fall from the fire when the doors are opened. Liquid fuels are not to be used on this stove.

ASH CLEARANCE

The ashpan should be emptied regularly before it becomes too full. Never allow the ash to accumulate in the ashpan so that it comes in contact with the underside of the grate as this will seriously damage the grate bars. The ashpan is handled using the Door Opening tool provided. Ensure that the tongue of the ashpan is protruding through

Fig. 3. Ashpan Removal



the slot in the top of the tool before lifting (See Fig.3). Care should be taken to ensure that ash is cool before emptying it into plastic liners or bins.

To make ash removal easier there is a special Charnwood ash carrier available. This may be purchased from your supplier or, in case of difficulty, from Charnwood.

SPECIAL POINTS WHEN BURNING COAL

When loading the stove take care not to smother the fire, instead fill the firebox in two stages waiting between each stage for the flames to appear above the fire.

After a period of slumbering always turn the air control up to maximum and wait until flames appear above the fuel bed before opening the doors.

Burning coal will produce more soot deposits than other fuels, especially if the fire is run at low levels for long periods. It is therefore vital to clean the throat plate regularly, weekly cleaning is recommended. Please also note that some blackening of the glass may occur when burning coal.

Never fully close the Airwash control when burning coal.

SPECIAL POINTS WHEN BURNING WOOD AND PEAT

The grate should be kept in the wood burning position and should not be riddled until the ash becomes so deep that it begins to block the passage of air into the firebox at the side of the grate. When this is the case do not remove all of the ash using the riddling mechanism but keep a layer about half an inch thick as this enables the wood to burn more effectively. When burning wood or peat use the airwash control in the same way as described (see "CONTROLLING THE FIRE") When lighting the fire a few small dry logs with a good amount of kindling will help to get the fire up to temperature quickly.

OVERNIGHT BURNING

For overnight burning the fire doors must be closed. Use large logs rather than small ones.

If the fire is very low then it may be necessary to add a little fuel and turn the thermostat control up to maximum for a brief period until the fire is burning brightly before filling with fuel. When the new fuel has ignited, the thermostat control should be turned down to the required setting. If the central heating pump is off overnight then the thermostat may be left at the same setting for both day and night operation. If the central heating pump is on overnight then set the thermostat control to give the required level of heating. Some experimentation will be necessary to find the settings most suitable for the particular fuel used and the draw on the chimney.

To revive the fire, add some small logs and open the thermostat control to maximum. When the fire is burning well load on more fuel as necessary and move the thermostat control to the desired setting.

MAINTENANCE

Cleaning

The stove is finished with a high temperature paint which will withstand the temperatures encountered in normal use. This may be cleaned with a damp lint-free cloth when the stove is cold. Should repainting become necessary then special high temperature paints are available from your supplier or from Charnwood.

Cleaning the Glass

The glass in the door is a special ceramic glass which is able to withstand high temperatures. Before cleaning the glass open the door and allow it to cool. Clean the glass using a damp cloth and then wipe over with a dry cloth. Any stubborn deposits on the glass may be removed with a proprietary stove glass cleaner or ceramic hob cleaner. Some deposits on the glass may be burnt off simply by running the fire at a fast rate for a few minutes. Do not use abrasive cleaners or pads as these can scratch the surface which will weaken the glass and cause premature failure. Aerosol spray cleaners should not be used near the appliance whilst it is under fire.

When Not in Use

If the fire is going to be out of use for a long period (for instance in the summer) then to prevent condensation, and hence corrosion, the air control should be left fully open and the fire door left ajar. It is also advisable to sweep the chimney and clean out the fire. Spraying the inside of the door and firebox with a light oil, such as WD40, will also help to keep all internal parts working well.

After long periods where the fire has been out of use, the chimney and appliance flueways should be cleaned before lighting.

Door Seals

For the fire to operate correctly it is important that the door seals are in good condition. Check that they do not become worn or frayed and replace them when necessary.

Servicing

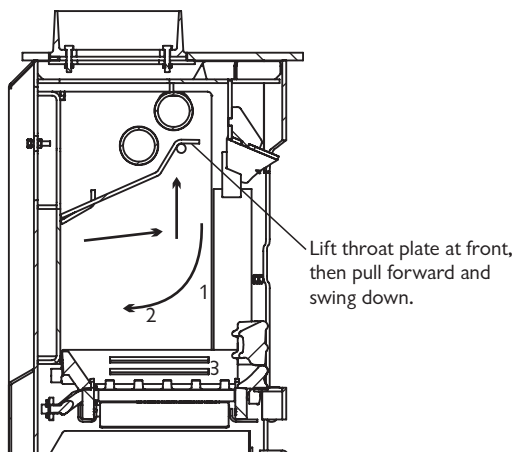
It is recommended that the fire is serviced once a year to keep it in first class working order. After cleaning out the firebox thoroughly, check that all internal parts are in good working order, replacing any parts that are beginning to show signs of wear. Check that the door seals are in good condition and that the door seals correctly. A servicing guide is available on request. Repairs or modifications may only be carried out by the Manufacturer or their approved agents. Use only genuine Charnwood replacement parts.

THROAT PLATE AND FLUEWAY CLEANING

It is important that the throat plate and all the stove flueways are kept clean. They should be checked approximately once a week, by looking up into the firebox for signs of soot or fly-ash on the throat plate and at the sides of the firebox. If there are signs of a build up of soot or fly-ash deposits then the fire must be allowed to go out in order to clean the throat plate and flueways.

Before attempting to clean the throat plate and flueways ensure that the fire is cold. Wear suitable gloves to prevent irritation from soot deposits. To remove the throat plate lift the front edge up, pull the plate forwards to align the slots with the support pegs and then hinge the plate down from its back supports. Lift up from the back supports and rotate to remove through the doorway (see Fig. 4).

Fig. 4. Throat Plate



CHIMNEY SWEEPING

The chimney should be swept at least twice a year. Where a top outlet is used it will generally be possible to sweep the chimney through the appliance.

If the stove is fitted in place of an open fire then the chimney should be swept one month after installation to clear any soot falls which may have occurred due to the difference in combustion between the stove and the open fire.

First remove the front firebar, side fire plates, and the throat plate. Then sweep the chimney ensuring that soot is removed from all horizontal surfaces after sweeping.

In situations where it is not possible to sweep through the appliance the installer will have provided alternative means, such as a soot door.

After sweeping the chimney the appliance flue outlet and the flue pipe connecting the stove to the chimney must be cleaned with a flue brush.

After clearing any soot from within the stove, replace the throat plate (see Fig. 4), the side fireplates, and front firebar.

Different types of sweep's brushes are available to suit different flueways. For standard brick chimneys a wire centre sweep's brush fitted with a guide wheel is recommended. For prefabricated insulated chimneys the manufacturers instructions with regard to sweeping should be consulted.

TROUBLE SHOOTING

Fire Will Not Burn

Check that:

- the air inlet at the rear of the stove is not obstructed in any way,
- chimneys and flueways are clear,
- a suitable fuel is being used,
- there is an adequate air supply into the room,
- an extractor fan is not fitted in the same room as the stove,
- there is sufficient draw in the chimney (once the chimney is warm a draught reading of at least 0.10 inches water gauge (25Pa) should be obtained),
- all flue connections and the blanking plate are well sealed.

Blackening of Door Glass

Keeping the glass clean requires a certain amount of experimentation due to the differences in the draw of different chimneys. The following points should be noted and with a little care should enable the glass to be kept clean in most situations:

- The airwash relies on a supply of heated air to keep the glass clean,

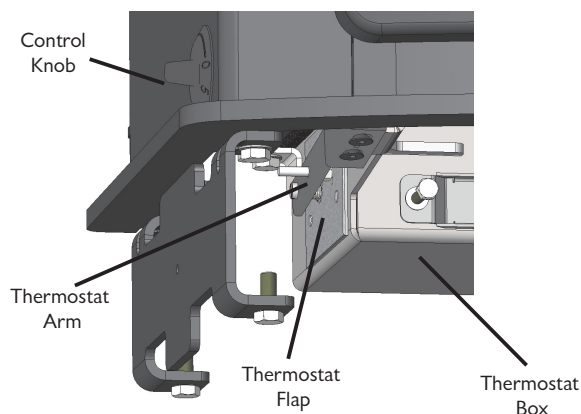
therefore, when lighting the stove allow the fire bed to become well established before closing the air control. This also applies when re-fuelling the stove.

- b) When re-fuelling keep the fuel as far back from the front firebar as possible, do not try to fit too much fuel into the firebox.
- c) Wet wood or logs overhanging the front firebars will cause the glass to blacken.

It is always more difficult to keep the glass clean when running the stove very slowly for long periods.

Check that all flue connections and the blanking plate are well sealed. It is also important that the chimney draw is sufficient (when the chimney is warm a draught reading of at least 0.10 inches water gauge (25 Pascals) should be obtained), and that it is not affected by down-draught.

Fig. 5. Thermostat - view with cover removed



Fume Emission

Warning Note: Properly installed and operated this appliance will not emit fumes. Occasional fume from de-ashing and re-fuelling may occur. Persistent fume emission is potentially dangerous and must not be tolerated. If fume emission does persist, then the following immediate actions should be taken:

- a) Open doors and windows to ventilate the room.
- b) Let the fire out and safely dispose of the fuel from the appliance.
- c) Check for flue or chimney blockage, and clean if required.
- d) Do not attempt to re-light the fire until cause of fume has been identified, if necessary seek professional advice.

The most common cause of fume emission is flueway or chimney blockage. For your own safety these must be kept clean.

Fire blazing out of control

Check that:

- a) The door is tightly closed.
- b) The air controls are set at the minimum setting.
- c) A suitable fuel is being used.
- d) The thermostat flap is closed against the Thermostat Box, see Fig.5.
- e) Door seals and air control flap pads are intact.

Over-Firing

If the fire is over-fired it will cause premature failure of the internal fire parts. Overfiring is occurring when any parts of the fire begin to glow red. To prevent over-firing ensure that:

- a) the door seals are kept in good condition, and that the doors are sealing correctly,
- b) the thermostat on the fire is working correctly,
- c) a suitable fuel is being used,
- d) the fire is not fitted onto a heating system which is too large.

Freezing

Do not light the fire if there is any possibility that any parts of the system may be frozen.

Lack of Heat To Radiators / Hot Water

Check that:

- a) the fire is burning properly - if not then carry out the checks under "Fire Will Not Burn".
- b) the throat plate is fitted correctly (see Fig. 4.) and that it is not distorted.
- c) the door seals are in good condition.
- d) If the hot water goes cold when the pump is turned on, or if some radiators are hotter than others, then the system may need balancing, the pump may be pumping the water too quickly around the system, or the radiators may need bleeding. Please ask your installer to check these points.

Chimney Fires

If the chimney is thoroughly and regularly swept, chimney fires should not occur. However, if a chimney fire does occur, push the air control in fully and tightly close the door of the appliance. This should cause the chimney fire to go out in which case the control should be kept closed until the stove has gone out. The chimney and flueways should then be cleaned. If the chimney fire does not go out when the above action is taken then the fire brigade should be called immediately.

After a chimney fire the chimney should be carefully examined for

any damage. Expert advice should be sought if necessary.

IF YOU NEED FURTHER HELP

If you need further help with your Charnwood Cove then your Installer will be able to provide the answers to most questions. Your Local Charnwood Premier Dealer has a great deal of experience and will also be able to provide helpful advice. Further help is available from the Charnwood Customer Services department who will be pleased to give advice, if necessary.

HEALTH & SAFETY PRECAUTIONS

Please take care when installing the stove that the requirements of the Health and Safety at Work Act 1974 are met.

Some types of fire cement are caustic and should not be allowed to come into contact with the skin. In case of contact wash with plenty of water.

If there is a possibility of disturbing any asbestos in the course of installation then please use appropriate protective equipment.

There must not be an extractor fan fitted in the same room as the stove as this can cause the appliance to emit fumes into the room.

There must be an adequate air supply into the room in which the appliance is installed to provide combustion air. The combustion air supply must be via a permanently open vent. The minimum free area is 62.7cm² (9.7 in²). This is particularly necessary if the room is double glazed. It must be positioned such that it is not liable to blockage.

In addition to these instructions the requirements of BS.8303 and BS EN 15287-1:2007 must be fulfilled. Local Authority Bylaws and Building Regulations regarding the installation of Solid Fuel burning appliances, flues and chimneys must also be observed, including those referring to national and European Standards.

SPECIFICATION

Specification	Wood	Anthracite
Nominal Heat Output (kw)	11 (37,533 Btu/h)	16.4 (55,960 Btu/h)
Space Heating Output (kw)	4.6 (15,696 Btu/h)	7.1 (24,226 Btu/h)
Water Heating Output (kw)	6.4 (21,828 Btu/h)	9.3 (31,733 Btu/h)
Normal Flue Gas Temp (°C)	315	353
Flue Gass Mass Flow g/s	8.6	11.6
Max Water Pressure Bar (ft. H O)	1.5 (50)	
Min Distance From Combustibles and also for access:		
Sides (mm)	100	
Back (mm)	100	
Max Hearth Temp (°C)	53	
Min Flue Draught Pa (in water)	25 (0.1)	
Boiler Capacity Litres	8.4	
Weight (kg)		
Low Stand	127	
Store Stand	133	
Centre Stand	146	

The outputs were obtained burning:

- 1) Seasoned hardwood over a 1.5 hourly refuelling cycle.
- 2) Welsh Anthracite over a 4 hourly re-fuelling cycle.

CHIMNEY

In order for the appliance to perform satisfactorily the chimney height must not be less than 4 metres measured vertically from the outlet of the stove to the top of the chimney. The minimum internal chimney size is 150mm diameter (6 inches) or 150mm x 150mm.

This stove is NOT to be used in a shared flue. If an existing chimney is to be used it must be swept and checked, it must be in good condition, free from cracks and blockages, and should not have an excessive cross sectional area. If you find that the chimney is in poor condition then expert advice should be sought regarding the necessity of having the chimney lined. If it is found necessary to line the chimney then a lining suitable for Solid Fuel must be used.

If there is no existing chimney then a prefabricated block chimney or a twin walled insulated stainless steel flue to with BS EN 15287-1:2007 can be used either internally or externally. These chimneys must be fitted in accordance with the manufacturers instructions and Building Regulations.

Anki pumice liners or chimney blocks will give a highly insulated chimney which will work well with all fuels. For details ring Anki Chimney Systems on (01983) 527997.

Single wall flue pipe is suitable for connecting the stove to the chimney but is not suitable for using for the complete chimney.

If it is found that there is excessive draw in the chimney then a draught stabiliser should be fitted.

It is important that there is sufficient draw in the chimney and that the chimney does not suffer from down-draught. When the chimney is warm the draw should be not less than 0.1 inches water gauge. If in doubt about the chimney seek expert advice.

HEARTH AND FIRE SURROUND

The stove must stand on a fireproof hearth and must be situated at least the following distances from any combustible material:

Side 100mm (4in)

Back 100mm (4in)

The hearth must be at least 12mm (0.5inches) thick. The positioning of the stove and the size of the hearth are governed by building regulations for Class 1 appliances. These building regulations state that the hearth must extend in front of the stove by at least 300mm (12 inches) and to the sides of the stove by at least 150mm (6 inches). When the fire door is open, it extends beyond the front of the stove by 414mm (16.3in).

If in doubt as to the positioning of the stove expert advice should be

sought either from the supplier or the local building inspector.

The fireplace must allow good circulation of air around the appliance to ensure that maximum heat is transferred to the room and also to prevent the fireplace from overheating. A gap of 150mm (6 inches) each side and 300mm (12 inches) above the appliance should give sufficient air circulation. If a wooden mantelpiece or beam is used in the fireplace it should be a minimum of 460mm (18 inches), and preferably 600mm (24 inches) from the appliance. In some situations it may be necessary to shield the beam or mantelpiece to protect it.

In order for the fire to operate correctly there must be an air gap behind the appliance of at least 40mm, but be aware that this distance will need to be greater in some cases to meet Building Regulation requirements.

CENTRAL HEATING SYSTEM

The central heating system must comply with BS EN 14336, BS EN 12828 and BS EN 12831.

The installation of any electrical services during the installation of this boiler and the associated heating system must be carried out by a registered competent electrician and in accordance with the requirements of the latest issue of BS 7671.

If the system is to be a combined heating and domestic hot water system then a double feed indirect hot water storage cylinder to BS:1556 part 1 should be used. In order to prevent the build up of scale and corrosion a suitable inhibitor should be used. The system must be correctly vented as shown in Figs. 6 and 7. The height differential between the header tank and the appliance must not exceed 15.2 metres (50 feet).

If all four boiler tappings are used then, if possible, diagonal pairs should be connected for domestic hot water and central heating. Where a common return is used an injector tee must be incorporated into the system as shown in Fig.8. This will ensure that a good domestic hot water supply is maintained when the central heating pump is operating.

The system must incorporate a gravity circuit which will normally heat the domestic hot water and an unvalved radiator with an output of at least 1 kW. When the appliance is not connected to a domestic hot water system the unvalved radiator(s) on the gravity circuit must have an output of at least 1.25 kW. This is to prevent boiling in case of pump failure. All pipework in the primary circuit must be 28 mm diameter and the gravity flow pipe must rise continuously from the boiler to the open vent. Two typical systems are shown in Figures 6 and 7.

Fig. 6. Typical Central Heating & Hot Water System Using 4 Boiler Tappings

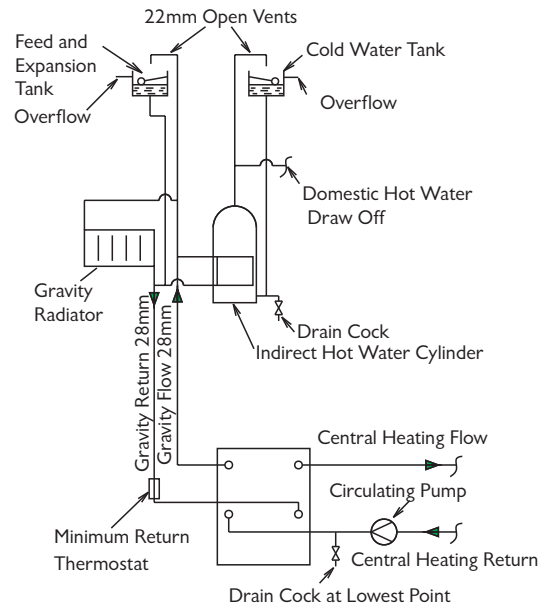


Fig. 7. Typical Central Heating & Hot Water System Using 3 Tappings

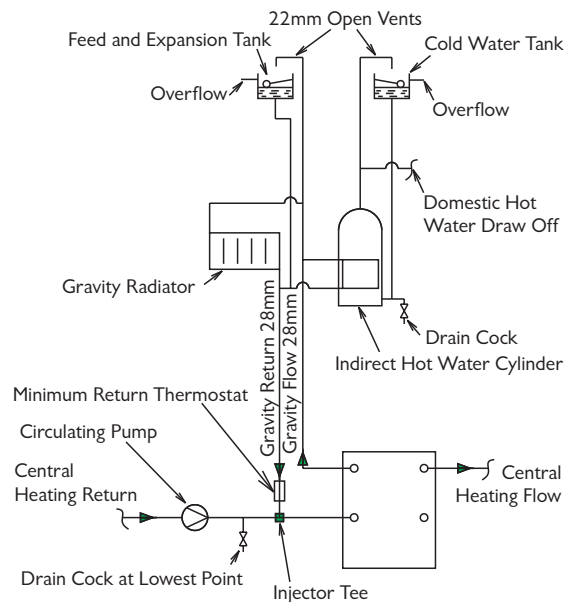
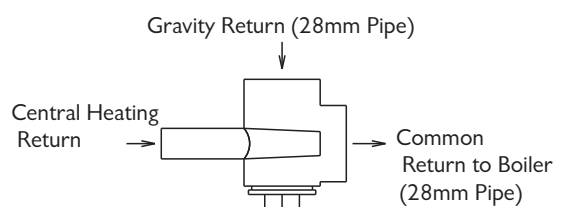


Fig. 8. Injector Tee



If the appliance is used to heat a small central heating system then the heat output to the room from the fire will be reduced.

Fitting a radiator in the same room as the fire is recommended as it will allow greater flexibility in the way that the system is operated as well as ensuring that there is sufficient heat.

Connect the heating system to the boiler ensuring that the primary flow pipe rises continuously from the appliance to the vent. Fill the system with water and check for leaks.

SYSTEM CONTROLS

The circulating pump may be controlled by means of time switches, room thermostats or outdoor thermostats. Radiators may be either manually or thermostatically controlled. These controls will all work in conjunction with the thermostat on the appliance and the low limit pipe thermostat.

We recommend fitting a pipe thermostat onto the gravity return to act as a low limit thermostat. This should be wired into the mains supply to the pump so that if the gravity return temperature drops below 45°C then the pump will cut out. This will help to prevent condensation forming on the boiler faces and will thereby increase the life of the boiler. It will also ensure that priority is given to the domestic hot water. These thermostats are available from Charnwood if you are unable to obtain them locally.

CONNECTIONS TO FLUES

There are several ways of connecting the stove to the flue. These are illustrated in figures 9 to 12.

If the vertical rear flue connector (shown in Fig. 12) is used then the chimney may be swept through the appliance.

Horizontal lengths of flue must be kept to a minimum and should not be more than 150mm (6 inches) long. The sealing face of the flue collar should be coated with fire cement before fixing to the body of the stove using the two screws provided. The blanking plate must be removed, sealed with fire cement and refitted, care being taken to ensure that the fold on the clamping plate is in line with the lugs on the firebox as shown on the label on the clamping plate. Ensure that the clamping plate does not prevent the throat plate from seating correctly. All flue connections must be well sealed.

SOOT DOORS

It is possible to pass a 16 inch diameter sweeps brush through the appliance but in most back outlet installations it will be necessary to have a soot door to enable the chimney to be swept. This may either be in the actual brickwork of the chimney or in the register plate.

Various types and positions of soot doors are shown in figures 9 to 12.

UNPACKING THE STOVE

The stove arrives bolted and shrink-wrapped to its pallet. The wrapping is first removed, then the stove released from the pallet by removing the 4 pallet bolts using a 10mm spanner. The pallet brackets can now be removed from the stove by tilting it and using a 13mm spanner to remove the bolts. These 4 bolts are required for levelling on the Low Stand or fixing on the Centre Stand, but are not used on the Store Stand. The Stove comes with the Low Stand fitted and if this is to be used, the Stove may now be moved to its final position. The pallet is intended to be cut up and used for kindling fuel.

FITTING THE STOVE TO ITS STAND

1. Centre stand

The Stand is first positioned on the hearth in the desired position of the stove. The lower cover must be removed from the stove by first unscrewing the air control knob, then removing the 6mm bolt on each side using a 4mm allen key. The Cover may now slide off. Ensure

Fig.9. Vertical register plate with bricked up fireplace

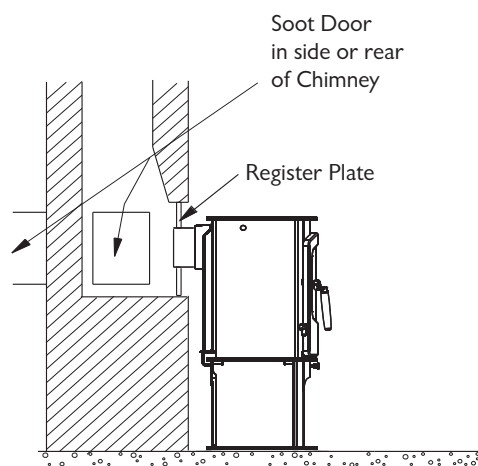


Fig. 10. Horizontal register plate with rear flue connection

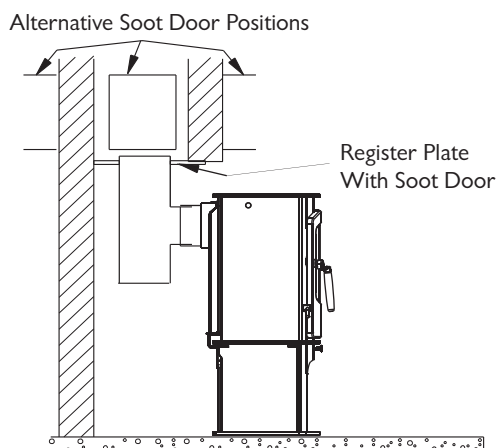


Fig. 11. Horizontal register plate with top flue connection

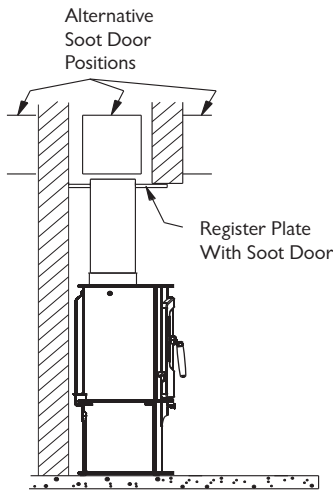
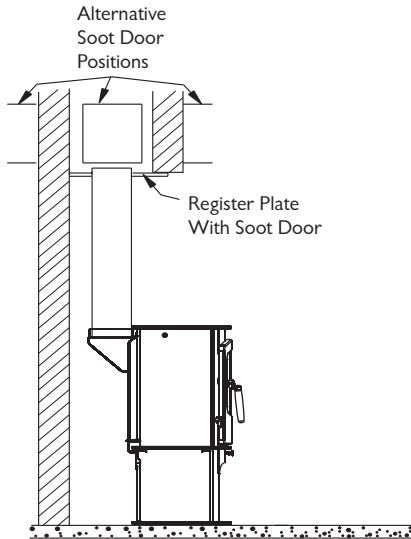


Fig. 12. Horizontal register plate with optional vertical rear flue connector

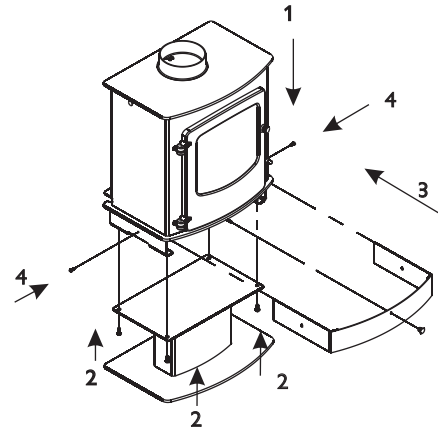


that the pallet brackets have been removed from the stove, then lift the stove on to the stand, aligning the 4 tapped holes in the base brackets with the 4 slots in the top of the stand. NOTE: This requires at least 2 people. The stove is fixed to its stand using 4 M8 x 20mm bolts and 4 plain washers. A 13mm open ended spanner is required. Replace the cover, side bolts and Air Control Knob.

2. Store stand

Place the Store Stand on the hearth, with at least 100mm clear space behind it. Remove the lower cover as described above - it is not used. With 2 people, carefully lift the stove on to the stand such that the front end of the Air Control Rod is lowered down inside the stand. Take care not to bend or damage the Air Control Rod. Temporarily rest the stove on the stand in this position and pull the Air Control Rod through the hole in the front of the stand. Now move the stove towards you to align the slots in the side of the stand with the 6mm tapped holes in the base brackets. Fix in position with the bolts that

Fig. 13



were used to secure the cover and replace the Air Control Knob.

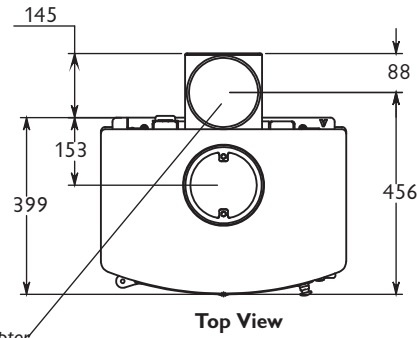
PRE LIGHTING CHECK

Before initial lighting the following points should be checked:

1. The bottom grate bars must all be fitted and should move freely and easily when the riddling mechanism is operated.
2. The plates round the sides and back of the grate must be in position and sitting correctly.
3. The throat plate must be fitted in the roof of the appliance and should be checked to ensure that it has not become dislodged in transit. The method of location and positioning of the throat plate is shown in Fig. 4.
4. **The heating system must be correctly connected and filled with water before lighting the fire. Lighting the fire without water in the boiler can cause serious damage to the boiler and will invalidate the guarantee.**

COMMISSIONING

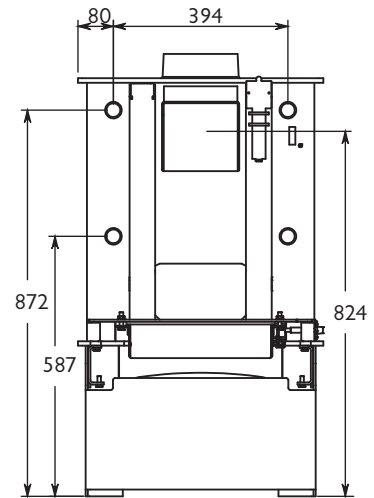
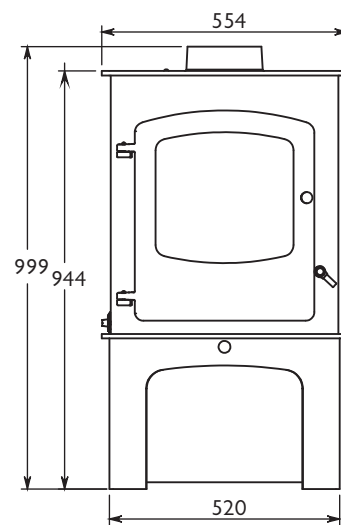
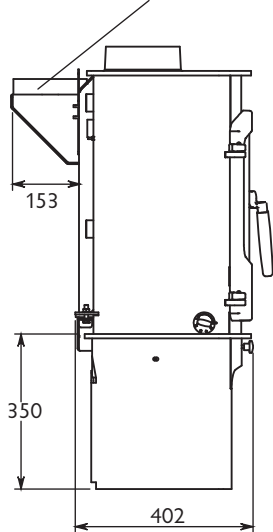
On completion of the installation and after allowing a suitable period of time for the fire cement and mortar to dry out, the stove should be lit and checked to ensure that smoke and fumes are taken from the appliance up the chimney and emitted safely. Also check all joints and seals. On completion of the installation and commissioning please leave the operating instructions with the customer and advise them on the use of the appliance.



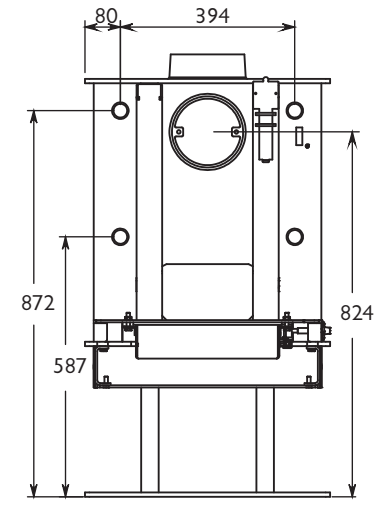
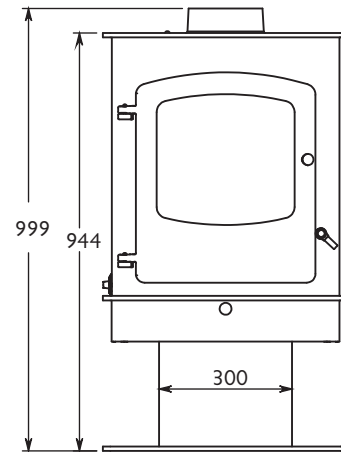
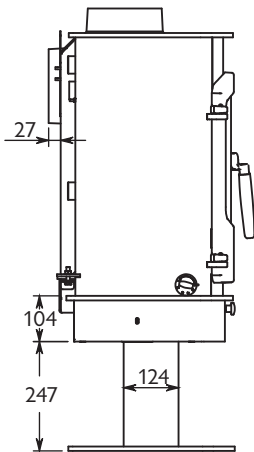
Flue outlet to suit 150mm (6" flue pipe)

Optional Vertical Rear Flue Adapter

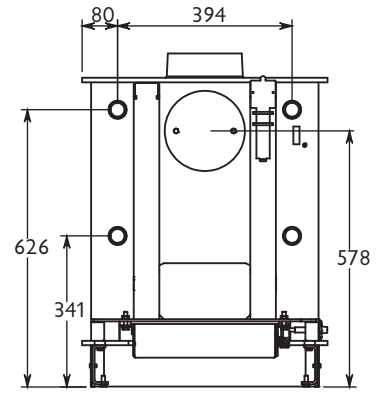
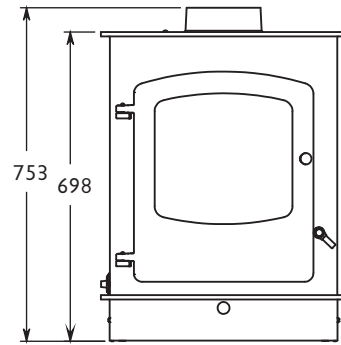
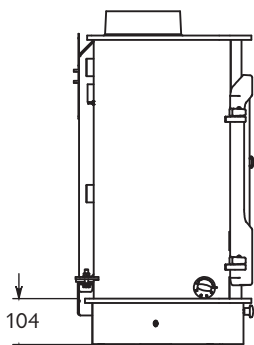
STORE STAND



CENTRE STAND



LOW STAND



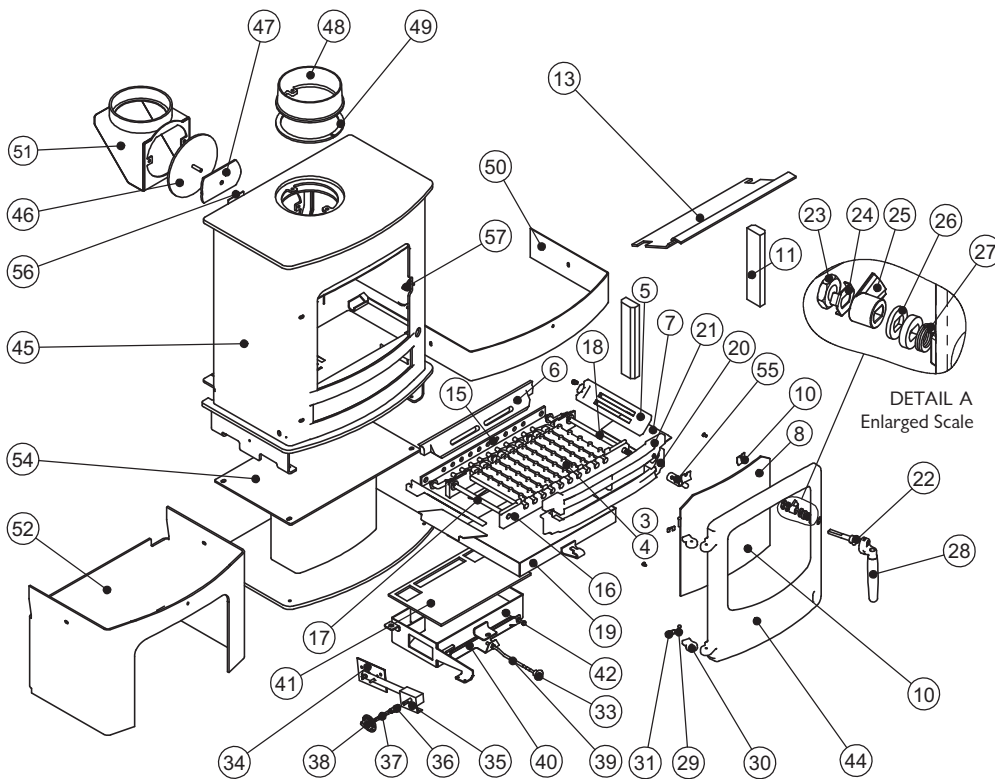
Side View

Front View

Back View

COVE 2B PARTS LIST

Issue F



Item	Part No.	Description	Item	Part No.	Description
1	008/PY23S	Door Seal Set Inc. Adhesive	30	002/PY24	Hinge Post
2	008/FW29	Door Seal Adhesive	31	004/PY25B	Hinge Post Shim 0.9mm
3	002/CG20	Bottom Grate Bar	33	008/AY37	Air Control Knob
4	002/CG20S10	Set of Grate Bars (10)	34	008/FV49	Thermostat Flap
5	002/CY15	Side Fire Plate	35	008/FW48	Thermostat
6	002/AY16	Back Fire Plate	36	004/CS18	Thermostat Connector Tube
7	004/FS19	Ash Shedding Plate	37	004/FS16	Thermostat Extension Rod
8	006/PY18	Glass (Inc Seal)	38	008/BW50	Thermostat Knob
9	008/PY45	Glass Seal	39	004/PY32	Air Control Rod
10	004/KV23	Glass Retainer	40	004/FS21	Secondary Air Slide
11	011/FS09S	Set of Fire Bricks (2)	41	008/DS12	Thermostat Box Gasket
13	010/FS31	Throat Plate	42	010/FS20	Thermostat Box
15	012/AY33	Mover Bar	44#	002/PY01/A	Door Assembly
16	002/AY30	Carrier Bar	45	009/COV02B/A	Firebox (Cove2B)
17	012/AY13	Idler Rod	46	012/TW09	Blanking Plate
18	012/AY15	Riddler Rod	47	010/AY51	Clamping Plate
19	004/PY17	Ashpan	48	002/CH12B	Flue Collar
20	002/AY07B	Front Firebar	49	010/NV11	Flue Spacer Ring
21	002/FS08	Deepening Bar	50	010/PY36	Base Cover
22	002/RV15	Door Knob & Spindle	51	010/TW33	Vert. Rear Flue Connector (Opt'l Extra)
23	008/FFN001	M12 Half Nut	52#	010/PY33	Store Stand
24	004/ST008	Tabbed Locking Washer	54#	010/PY34	Centre Stand
25	002/AY14	Door Catch	55	002/AY27	Riddler Knob
26	010/ST031	Door Catch Spacer	56	012/FS11	Serial No. Label
27	008/FFW015	M12 Double Coil Spring Washer	57	010/PY38	Door Catch Stop
28	008/PY13	Door/Riddling/Ashpan Tool	58*	010/BW51	Ash Carrier (Optional Extra)
29	008/BW39/S	Hinge Pin Set			

* These items are not shown on the drawing.

Please specify colour when ordering.

To obtain spare parts please contact your local stockist giving Model, Part No. and Description. In case of difficulty contact the manufacturer at the address shown. This drawing is for identification purposes only.

charnwood



A.J WELLS & SONS LTD

10

Bishops Way, Newport, Isle of Wight PO30 5WS, United Kingdom

EN13240:2001

COVE 2B

ROOMHEATERS & BOILER FIRED BY SOLID FUEL OR WOOD LOGS

EC certificate of
conformity no:

FS44-CPD-2009

Maximum operating
pressure:

1.5 bar

Minimum distance to
combustible materials
Side:
Rear:

*100mm
100mm*

Emission of CO in
combustion products:

0.21%

0.68%

Flue gas temperature:

353°C

315°C

Space heating output:

7.1kW

4.6kW

Water heating output:

9.3kW

6.4kW

Energy efficiency:

76.5%

74.6%

Fuel types:

Solid Mineral Fuel

Wood Logs

your premier dealer

REV. COVER 18 12 06 13

