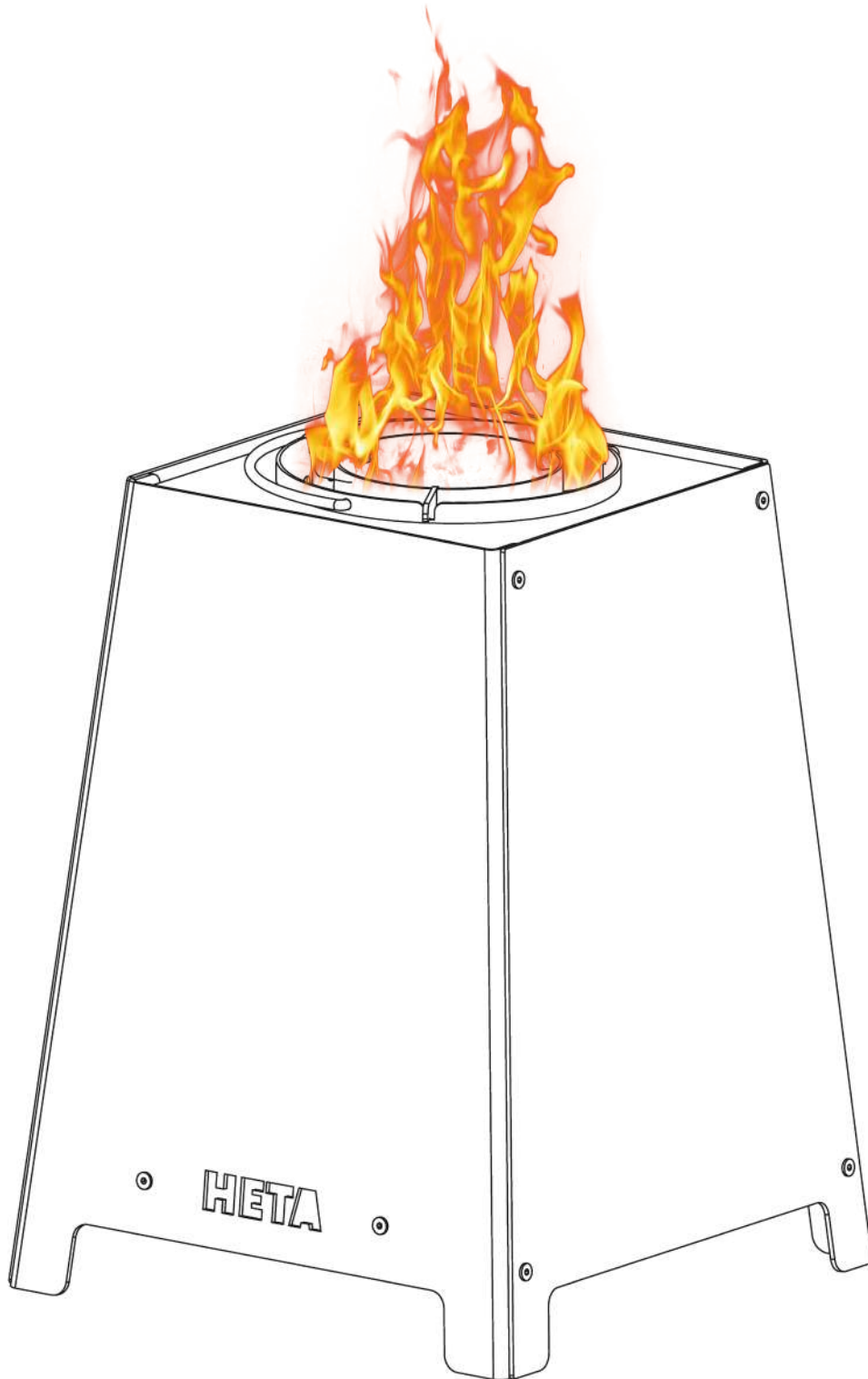


HETA QUAD

OUTDOOR PELLET BURNER



Heta A/S

Jupitervej 22, DK-7620 Lemvig

T: +45 9663 0600, E-mail: heta@heta.dk

EN

Corten steel

HETA-QUAD is made of Corten steel, a special type of steel that is particularly suitable for outdoor fireplaces. When HETA-QUAD has been left out for a period of time, a nice layer of patina will form on the surface, which never develops into corrosive rust due to the nature of the surface. In the beginning, HETA-QUAD rusts relatively quickly, and a little rust can thus run down the surface, e.g. tiles. However, due to the nature of Corten steel, this phenomenon will be reduced over time as the inertia of the rust formation becomes greater and greater.

Rapid rust formation / oxidation

If you want to promote rust formation, we can recommend degreasing and cleaning the surface so that it becomes more evenly oxidized over time.

Alternatively, you can wash it with salt water sometimes, this will promote oxidation.

Good luck with your new HETA-QUAD.

Safety:

To ensure the safe use of your HETA-QUAD, pay close attention to ALL safety requirements. Always make sure that there is plenty of ventilation when the product is in use and use it always and only outdoors.

Never leave a burning HETA-QUAD unattended.

Do not place HETA-QUAD near flammable materials.

The individual parts become very hot during use. Therefore, always remember to use suitable gloves when handling. Tell both children and the elderly about the dangers of high surface temperatures on HETA-QUAD.

Your children and pets should be monitored when in the vicinity of HETA-QUAD during use.

HETA-QUAD should only be used outdoors in a well-ventilated area and should not be used in an enclosed building.

Always place HETA-QUAD on an even and firm surface. Do not move or touch the HETA-QUAD while it is hot. HETA-QUAD must not be altered in any way. Always keep at least 1 m free distance from HETA-QUAD to any combustible material.

Never use flammable liquids near or on HETA-QUAD while it is hot. Use only "fire-gel" for ignition and never other types of flammable liquids.

Never add pellets when HETA-QUAD is burning.

Do not clean HETA-QUAD with flammable or corrosive cleaning agents.

Do not hang clothes or flammable materials on or near HETA-QUAD.

Allow HETA-QUAD to cool for at least 1 hour after use before attempting a re-ignition.

Never use a damaged HETA-QUAD.

Ash from HETA-QUAD should be disposed of when cold.

Warning:

When HETA-QUAD is to be operated in the vicinity of other people, the owner / buyer is obliged to inform people who are not familiar with the operation of HETA-QUAD about the instructions and about the dangers of operation.

If this HETA-QUAD is used in a commercial installation or rental installation, it is the buyer's responsibility to inform the user of safety precautions and instructions. Failure to follow the precautions and instructions provided with this HETA-QUAD may result in serious personal injury and property loss or damage due to the risk of fire, explosion, burn, suffocation or carbon monoxide poisoning.

Make sure that you understand all operating instructions before you start operating or servicing this HETA-QUAD.

HETA A/S disclaims all liability, private as well as criminal, directly and indirectly, if the instructions and warnings in this manual are not followed!

Operation:

Preparation before first lighting:

Review thoroughly and make sure you understand all safety precautions and warnings.

Lighting:

Make sure the burner is emptied and cleaned of ash (see fig. 1 ->)

Fill wood pellets into the burner (see fig. 2 ->)

Pour "Fire-Gel" on the wood pellets (see fig. 3 ->)

Connect the HETA-Powerbank to the burner's usb cable and make sure the fan is running. (see Fig. 4 ->)

Ignite ignition gel (see fig. 5 ->)

Standard combustion time for HETA-QUAD is approx. 3 hours in total when the burner is completely full at start-up. The flame time is approx. 90 minutes and the glow time is also approx. 90 minutes (see fig. 6 ->)

NB!

Never try to reignite a hot HETA-QUAD!

HETA-Power Bank:

Always use only a power bank designed for the purpose, such as the one supplied with HETA-QUAD.

Some types of powerbanks have built-in parts that detect the data signals on the plug and since these are not used on this installation, this type of powerbank can not be used and this will typically go into standby after 1-5 min.

If you want to be on the safe side with the type, a new original HETA-Powerbank can be ordered at www.heta.dk

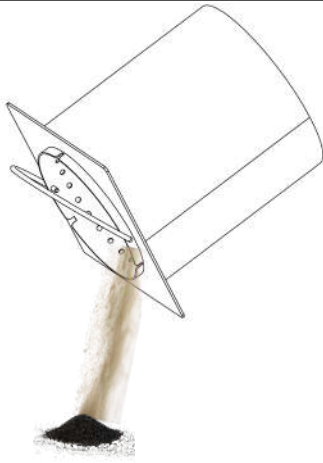
Use the included USB cable to charge the HETA-Powerbank.

Fire-Gel:

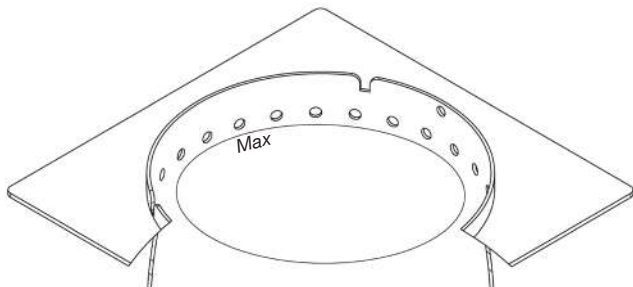
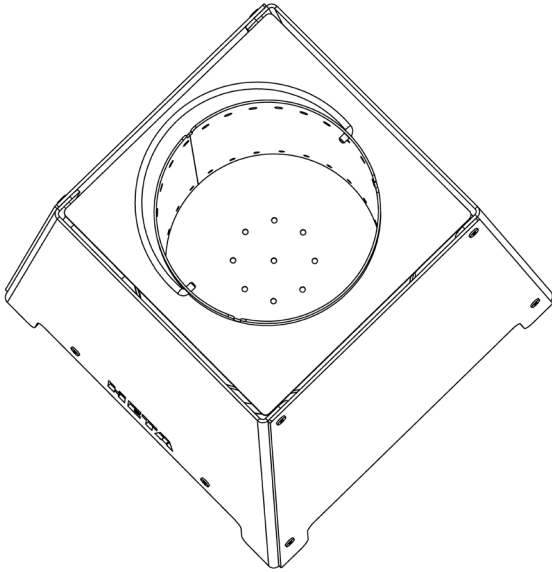
1L Fire-Gel is supplied with HETA-QUAD, this will correspond to approx. 20-25 ignitions. Do not overdose as this is not necessary. Use approx. 25-30ml per ignition.

Wood pellets:

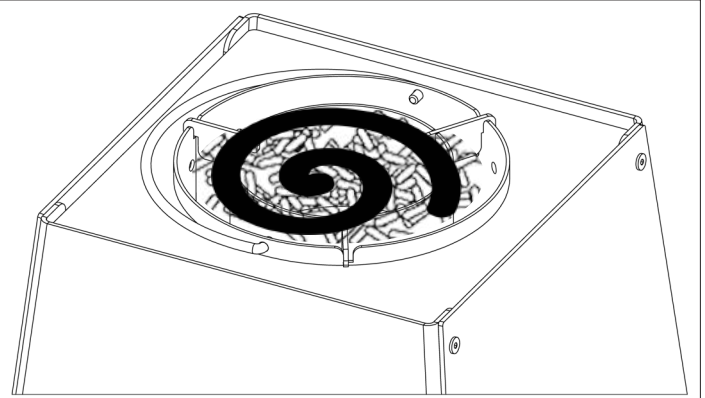
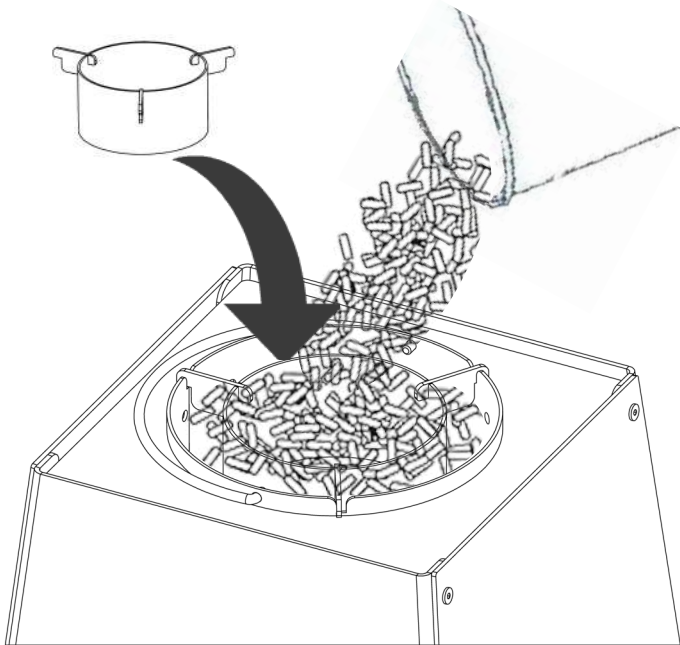
Wood pellets must be stored dry and must be protected from moisture. Wood pellets that have become damp must be disposed of properly.



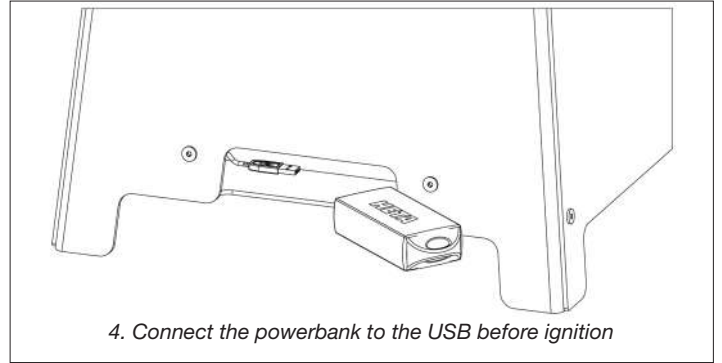
1. Always check that the burner is empty and cleaned before lighting



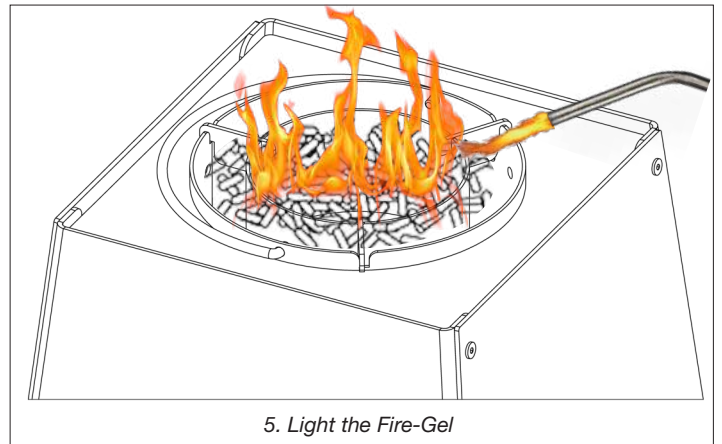
2. Max filled is just under the top holes in the burner !



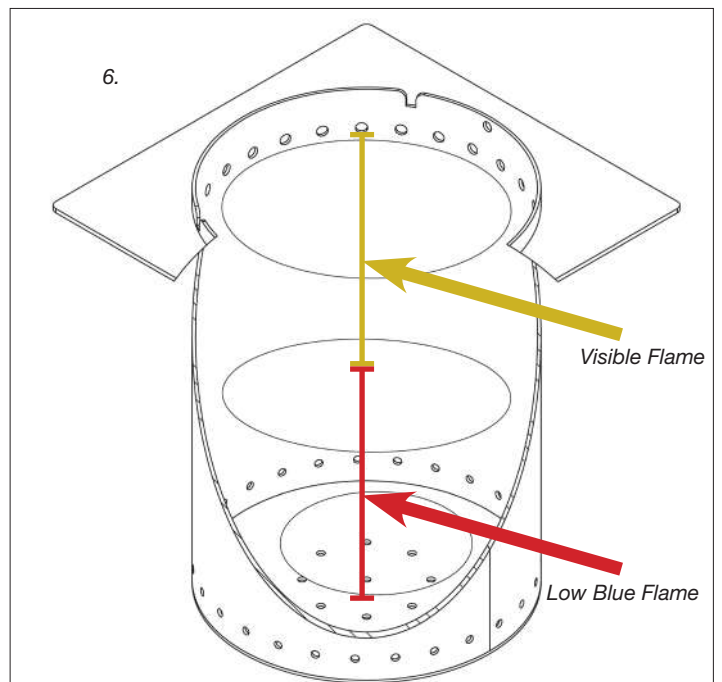
3. Pour Fire-Gel around the wood pellets in a spiral.



4. Connect the powerbank to the USB before ignition



5. Light the Fire-Gel



QUAD accessories:

It is possible to purchase the following for HETA-QUAD:

Burner: (item no. 6000-022673)

If you want to re-ignite quickly, to get the coziness from the flames, remove the burner tube and place it on a solid non-combustible surface. Then you can put an extra burner in HETA-QUAD and make a new fire immediately. However, pay special attention that no one should come near the removed hot burner!

Cooking ring: (item no. 1013-023218)

If you want the most out of cooking food on HETA-QUAD, we recommend that you buy a frying pan that can be easily mounted on the cooking ring. Then you can easily use the accessories and experience the many good options available, to make special fun with family and friends, all the while preparing food in different ways on your HETA-QUAD.

