

# Esprit 5 Solo



|                 |                 |
|-----------------|-----------------|
| Code            | ESPRIT5FSOLO-S2 |
| Output          | 5kW             |
| Log length      | 325mm           |
| Nett efficiency | 77.5%           |
| Width           | 474mm           |
| Height          | 508mm           |
| Depth           | 363mm           |

Elegantly refined, the exquisite Esprit is the cornerstone of the Villager range. With its modern, easy-to-use controls and large gently curved glass, the clean burning Esprit gives superior control and a perfect view of its flames.

## Features

- Lifetime guarantee
- Pre-heated airwash system for sparkling clean glass
- Stainless steel ash pan
- Burns wood or solid fuel
- Large curved ceramic glass
- Externally controlled riddling grate
- Flexifuel System
- Primary, secondary and tertiary burn to improve efficiency
- Top or rear flue outlet

## Optional Extras

- Add In Boiler - 1.6kw - [AIBV018]
- Add On Canopy - High - [AOCVE4H]
- Add On Canopy - Low - [AOCVE4L]
- Arada Ash Carrier - Small - [ARA016]
- Logstore - [LOGVSDE4-S2]
- Stand - [STANDVSDE4-S2]



## Esprit 5 Solo - Technical Information

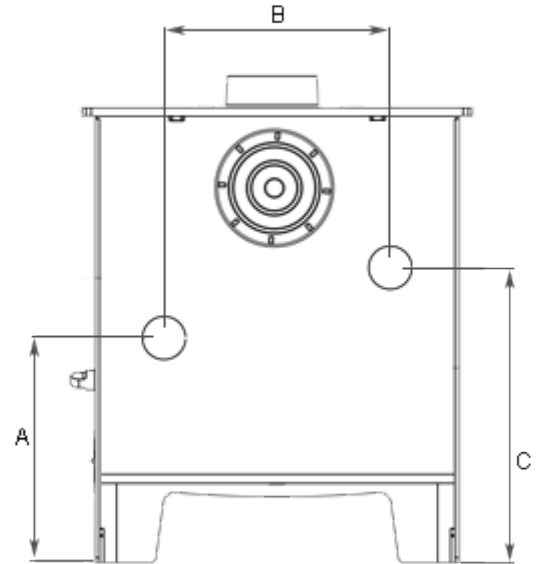
|                                     |                 |
|-------------------------------------|-----------------|
| Code                                | ESPRIT5FSOLO-S2 |
| Output range                        | 1-6.5kW         |
| Nett efficiency                     | 77.5 %          |
| Width                               | 474mm           |
| Height                              | 508mm           |
| Depth                               | 363mm           |
| Height to centre of rear flue       | 414mm           |
| Height of add on low canopy         | 160mm           |
| Height of add on high canopy        | 260mm           |
| Added height when on stand          | 122mm           |
| Added height when on log store      | 278mm           |
| Depth of back to centre of top flue | 98mm            |
| Flue diameter                       | 102mm           |
| Suitable for 12mm hearth            | Yes             |
| Under hearth temperature            | 66.7°C          |
| Suitable for direct air supply kit  | No              |
| Packed weight                       | 70kg            |
| Maximum log length                  | 325mm           |

## Minimum Distance To Combustibles

|                   |        |
|-------------------|--------|
| To rear of stove  | 900 mm |
| To sides of stove | 650 mm |

## Boiler Tapping Measurements

|            |        |
|------------|--------|
| Distance A | 213 mm |
| Distance B | 308 mm |
| Distance C | 273 mm |



Add In Boiler Tapping Measurements.  
Rear view example shown. Not to scale.