

charnwood
country
6 • 8 • 12

Operating & Installation Instructions

country *6 • 8 • 12* **CONTENTS**

OPERATING INSTRUCTIONS

Fuel	4
Door Operation	4
Fitting The Riddling Grate	4
Lighting	5
Controlling The Fire	5
Refuelling	5
Ash Clearance	5
Low Burning	5
Cleaning and Maintenance	6
Throat Plate & Flueway Clearing	6
Chimney Sweeping	6
Servicing	6
Trouble Shooting	6

INSTALLATION INSTRUCTIONS

Health & Safety Precautions	8
Chimney	8
Specification	8
Hearth & Fire Surround	8
Connection to Flues	9
Soot Doors	9
Pre Lighting Check	9
Commissioning	10
Dimensions	11
Parts Lists	12-14
Certification	15

Before lighting the stove check with the installer that the work and checks described in the Installation Instructions have been carried out correctly and that the chimney has been swept, is sound and free from any obstructions. When using the stove in situations where children, aged and/or infirm persons are present a fireguard must be used to prevent accidental contact with the stove. The fireguard should be manufactured in accordance with BS 8423:2010. This stove is not suitable for use in a shared flue system. It is capable of intermittent operation.

FUEL

This stove has been designated to burn wood. Only dry well seasoned wood should be burnt on this appliance as burning wet unseasoned wood will give rise to heavy tar deposits in the stove, on the glass and within the chimney. For the same reason hard woods (such as Ash, Beech and Oak) are better than soft woods (such as Pine and Spruce). Burning wet unseasoned wood will also result in considerably reduced outputs. The wood should be cut and split and then left to season in a well ventilated dry place for at least one year but preferably two years before use.

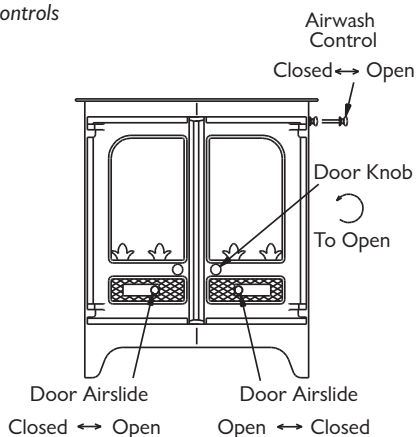
PETROLEUM COKE IS NOT SUITABLE FOR USE ON THIS APPLIANCE. ITS USE WILL INVALIDATE THE GUARANTEE.

For advice on other fuels please contact Charnwood. Wood should not be burnt in smoke controlled areas.

DOOR OPERATION

Using the tool turn the right-hand door knob anti-clockwise to open and clockwise to close (see Fig. 1).

Fig. 1. Stove Controls



RIDDLING GRATE

The riddling grate allows easier ash removal for high ash content fuel. Wood may be burned on the grate although if only wood is burned then it is better to remove the grate and burn the wood in a bed of ash on the base of the stove.

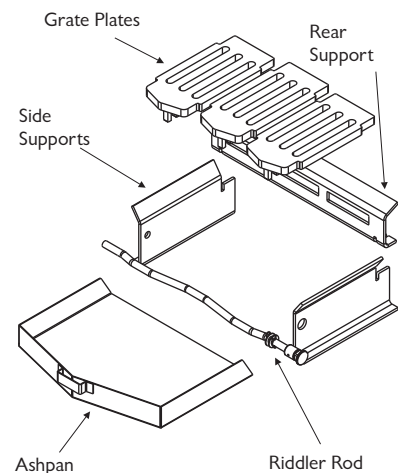
To fit the grate you will need a 10mm spanner and a Phillips screwdriver.

Before fitting the riddling grate remove the wood ash retainer. This is not required when the riddling grate is fitted.

Undo the nut on the riddling blanking hole using a 10mm spanner. Remove the cover and spacing washer (ensure you keep these in a safe place as you will need to replace them if the riddling grate is removed).

Place the back and side grate support plates into position (see Fig. 2).

Fig. 2. Riddling Grate



Fix the riddler rod into position. There are two ways to do this:

A) Slide the riddler rod through the riddling hole, from the outside of the stove body. Place one washer onto the rod before fitting through the right hand support plate and the other washer onto the rod before fitting through the left hand support plate. Slide the washers into position either side of the right hand support plate and fasten the "R" clips.

B) Remove the riddler knob from the riddling rod using a Phillips screwdriver. Place one washer onto the rod before sliding the riddling rod through the right hand support plate, fit the other washer onto the rod before coming through the opening of the stove. Slide the rod into the hole in the left hand support plate and then fit the "R"

clips to secure the washers either side of the right hand support plate. Fix the riddler knob back onto the riddling rod.

Fit the riddling plates into position through the back and front grate support plates, making sure they locate correctly onto the riddling rod. Slide the ashpan under the grate.

LIGHTING

On initial lighting, the stove may smoke and give off an odour as the silicon paint with which the firebox is painted reacts to the heat. This is normal and will cease after a short time, but meanwhile the room should be kept well ventilated.

At first only light a small fire and burn it slowly for two hours to allow any residual moisture in the bricks to evaporate.

The stove may be lit using dry kindling wood and paper or fire lighters. Place the paper, or fire lighters, and kindling on the base or the grate and cover with approximately 2 inches of fuel. Open the air slides in the doors and open the airwash control fully (see Fig. 1). Light the paper or fire lighters. Close the doors until the fuel is well ignited then load with fuel and adjust the air controls to the required setting.

When relighting the stove, leave the ash on the base, if burning wood, unless it is beginning to block the slots in the front fence, in which case some of it may be removed. If burning higher ash content fuel clear the grate and empty the ashpan before relighting.

CONTROLLING THE FIRE

The rate of burning and hence the output is controlled by the door air slides and the airwash control (see Fig. 1).

The air slides in the doors should only be used when lighting or when rapid burning is required. They should not be left fully open for long periods as this can cause over-firing. For low burning they should be closed. For correct firing we recommend the use of a stove pipe thermometer which may be purchased from your supplier or from ourselves.

The airwash control is used most of the time to control the burning rate and to keep the glass clean. Fully extended gives full airwash for faster burning and clean glass whereas fully closed gives slow burning. It will not be possible to keep the glass clean if this control is fully closed, particularly after refuelling.

When the stove is hot, these controls must only be operated using the tool provided or a glove to avoid the danger of burned fingers.

REFUELLING

Keep the firebox well filled but do not allow fuel to spill over the top of the front fire bars.

Care should be taken, especially when burning wood, that fuel does not project over the front fire bars or damage to the glass may be caused when the doors are closed, it can also cause the glass to black up. Typical refuelling interval when running the stove at rated output burning logs is 1.5 hours. Maximum filling height is such that logs cannot fall from the fire when the doors are opened. Liquid fuels are not to be used on this appliance.

ASH CLEARANCE

When burning wood the ash should be allowed to build up on the base of the fire. It will only be necessary to remove some ash once or twice a week when it begins to restrict the flow of air through the front fence.

When burning higher ash content fuel the ashpan should be emptied regularly before it becomes too full, generally once or twice a day. Never allow the ash to accumulate in the ashpan so that it comes in contact with the underside of the grate as this will seriously damage the grate. Care should be taken to ensure that ash is cool before emptying it into plastic liners or bins. After emptying the ashpan, riddle the fire by placing the tool on the riddler knob and rotating several times. A poker may also be used if necessary.

To make ash removal easier, there is a special Charnwood ash carrier available. This enables the whole ashpan to be placed in the sealed carrier and taken outside. These may be purchased from your supplier or, in case of difficulty, from ourselves.

LOW BURNING

For reduced burning the fire doors must be closed.

When burning wood load some large logs on the fire and allow to burn for half an hour before closing the door air slides (this will help to reduce tar deposits in the chimney). Leave the airwash control slightly open to help keep the glass clear.

Some experimentation may be necessary to find the setting most suitable for the type of fuel being used and the draw on the chimney.

To revive the fire, empty the ashpan, (if burning fuel other than wood), riddle the grate, and open the air controls to maximum. When the fire is burning well load on more fuel as necessary and adjust the air controls as desired.

CLEANING AND MAINTENANCE

The stove is finished with a high temperature paint which will withstand the temperatures encountered in normal use. This may be cleaned with a damp lint-free cloth when the stove is cold. Should re-painting become necessary, high temperature paints are available from your supplier or from stove shops.

Most deposits on the glass may be burnt off simply by running the fire at a fast rate for a few minutes. If it becomes necessary to clean the glass then open the doors and allow them to cool. Clean the glass using a damp cloth and then wiping over with a dry cloth. Any stubborn deposits on the glass may be removed with a proprietary stove glass cleaner or ceramic hob cleaner. Do not use abrasive cleaners or pads as these can scratch the surface which will weaken the glass and cause premature failure.

THROAT PLATE AND FLUEWAY CLEANING

It is important that the throat plate and all the stove flueways are kept clean in order to prevent potentially dangerous fume emission. They should be cleaned at least monthly, and more frequently if necessary. It is necessary to let the fire out completely to carry out these operations.

The front of the throat plate is pulled forward and then lowered as shown in Fig. 3. Any sooty deposits should then be swept from the plate and into the fire.

Return the throat plate to its correct position - raise the front of the plate, push it back and then lower it onto the retaining lugs.

CHIMNEY SWEEPING

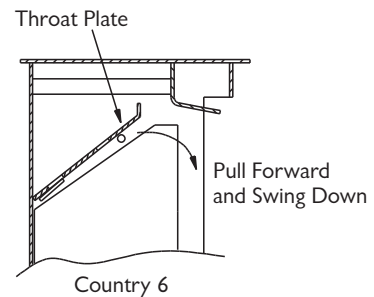
The chimney should be swept at least twice a year. Where the top outlet or vertical rear flue connector is used it will generally be possible to sweep the chimney through the appliance.

First remove the front fence and throat plate. Then sweep the chimney ensuring that soot is removed from all horizontal surfaces after sweeping.

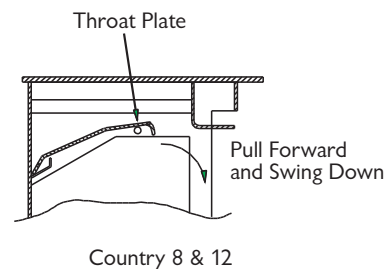
In situations where it is not possible to sweep through the appliance the installer will have provided alternative means, such as a soot door. After sweeping the chimney the appliance flue outlet and the flue pipe connecting the stove to the chimney must be cleaned with a flue brush.

After clearing any soot from within the stove, replace the throat plate

Fig. 3. Throat Plate Position and Lowering



N.B. On the Country 6 the throat plate is not required if the boiler is fitted.



(see Fig. 3.) and the front fence.

Different types of sweep's brushes are available to suit different flueways. For standard brick chimneys a wire centre sweep's brush fitted with a guide wheel is recommended. For prefabricated insulated chimneys the manufacturers instructions with regard to sweeping should be consulted.

SERVICING

It is recommended that the fire is serviced once a year to keep it in first class working order. After cleaning out the firebox thoroughly, check that all internal parts are in good working order, replacing any parts that are beginning to show signs of wear. Check that the doors seals are in good condition and that the doors seal correctly. A servicing guide is available on request.

Repairs or modifications may only be carried out by the Manufacturer or their approved agents. Use only genuine Charnwood replacement parts.

TROUBLE SHOOTING

Fire Will Not Burn

Check that:

- the air inlet is not obstructed in any way,
- chimneys and flueways are clear,

- c) a suitable fuel is being used,
- d) there is an adequate air supply into the room,
- e) an extractor fan is not fitted in the same room as the stove.
- f) there is sufficient draw in the chimney. Once the chimney is warm a draught reading of at least 2.5mm (0.10 inches) water gauge (25 Pa) should be obtained.

Blackening of Door Glass

Differences in chimney draughts mean that the best settings of the air controls will vary for different installations. A certain amount of experimentation may be required, however the following points should be noted and with a little care should enable the glass to be kept clean in most situations:

- a) The airwash relies on a supply of heated air to keep the glass clean. Therefore, when lighting the stove, allow the firebed to become well established before closing the air slides. This may also be necessary when re-fuelling the stove.
- b) When re-fuelling keep the fuel as far back from the front fence as possible, do not try to fit too much fuel into the firebox.
- c) Never completely close the airwash control - as a guide it should be at least a quarter open.
- d) The air slides in the doors may be kept slightly open to assist in keeping the glass clean.
- e) Wet wood or logs overhanging the front fence will cause the glass to blacken.

It is always more difficult to keep the glass clean when running the stove very slowly for long periods.

If blackening of the glass still occurs check that all flue connections and the blanking plate are well sealed. It is also important that the chimney draw is sufficient and that it is not affected by down-draught. When the chimney is warm a draught reading of at least 2.5mm (0.10 inches) water gauge (25Pa) should be obtained.

Some blackening of the glass may occur below the level of the front fence. This will not obscure the view of the fire or affect its performance.

Fume Emission

Warning Note: Properly installed and operated this appliance will not emit fumes. Occasional fume from de-ashing and re-fuelling may occur. Persistent fume emission is potentially dangerous and must not be tolerated. If fume emission does persist, then the following immediate actions should be taken:

- a) Open doors and windows to ventilate the room.
- b) Let the fire out and safely dispose of the fuel from the appliance.
- c) Check for flue or chimney blockage, and clean if required.
- d) Do not attempt to re-light the fire until cause of fume has been identified, if necessary seek professional advice.

The most common cause of fume emission is flueway or chimney blockage. For your own safety these must be kept clean.

Fire blazing out of control

Check that:

- a) the doors are tightly closed,
- b) the air slides are turned down to the minimum setting,
- c) the airwash control is closed,
- d) a suitable fuel is being used,
- e) door seals and airwash slide are intact.

Chimney Fires

If the chimney is thoroughly and regularly swept, chimney fires should not occur. However, if a chimney fire does occur close the door air slides and the airwash control, and tightly close the doors of the appliance. This should cause the chimney fire to go out in which case the controls should be kept closed until the stove has gone out. The chimney and flueways should then be cleaned. If the chimney fire does not go out when the above action is taken then the fire brigade should be called immediately.

After a chimney fire, the chimney should be carefully examined for any damage. Expert advice should be sought if necessary.

HEALTH AND SAFETY PRECAUTIONS

Please take care when installing the stove that the requirements of the Health and Safety at Work Act 1974 are met.

Some types of fire cement are caustic and should not be allowed to come into contact with the skin. In case of contact wash with plenty of water.

If there is a possibility of disturbing any asbestos in the course of installation then please use appropriate protective equipment.

There must not be an extractor fan fitted in the same room as the stove as this can cause the appliance to emit fumes into the room.

This appliance is not suitable for use in a shared flue system. It is capable of intermittent operation.

There must be an adequate air supply into the room in which the appliance is installed via a permanently open vent. Minimum free areas are:

Country 6 5.5cm (0.9 in)

Country 8 16.5cm (2.5 in)

Country 12 38.5cm (6 in)

This is particularly necessary if the room is double glazed. Air grilles must be positioned such that they are not liable to blockage.

In addition to these instructions the requirements of BS 8303 and BS EN 15287-1:2007 must be fulfilled. Local Authority Bylaws and Building Regulations regarding the installation of Solid Fuel burning appliances, flues and chimneys must also be observed, including those referring to national and European standards.

CHIMNEY

In order for the appliance to perform satisfactorily the chimney height must not be less than 4 metres measured vertically from the outlet of the stove to the top of the chimney. The internal dimensions of the chimney should preferably be 175 mm (7 inches) or 200mm (8 inches) either square or round and **MUST NOT BE LESS THAN 150 MM (6 INCHES)**.

If an existing chimney is to be used it must be swept and checked, in good condition, free from cracks and blockages, and should not have an excessive cross sectional area. If you find that the chimney is in poor condition then expert advice should be sought regarding the necessity of having the chimney lined. If it is found necessary to line the chimney then a lining suitable for Solid Fuel must be used.

If there is no existing chimney then a prefabricated block chimney or a twin walled insulated stainless steel flue to BS.4543 can be used either internally or externally. These chimneys must be fitted in accordance with the manufacturers instructions and Building Regulations.

Anki pumice liners or chimney blocks will give a highly insulated chimney which will work well with all fuels. For details ring (01983) 527997.

Single wall flue pipe is suitable for connecting the stove to the chimney but is not suitable for using for the complete chimney.

If it is found that there is excessive draw in the chimney then a draught stabilizer should be fitted.

It is important that there is sufficient draw in the chimney and that the chimney does not suffer from down-draught. When the chimney is warm the draw should be not less than 2.5mm (0.10 inches) water gauge (25 Pa). If in doubt about the chimney seek expert advice.

SPECIFICATION

Country	6	8	12
Output kW (BTU/h)	6 (20,500)	8 (27,300)	12 (40,900)
Mass kg	90	105	121
Flue Gas Temp °C	290	300	414
Flue Gas Mass Flow G/s	4.0	6.4	8.9
Max Hearth Temp °C	39	25	36
Safe Distances to combustibles(mm):			
Side	550	600	600
Rear	550	600	600

HEARTH AND FIRE SURROUND

The stove must stand on a fireproof hearth and must be situated at least the following distances from any combustible material:-

There must be a gap behind the stove of at least 25mm to allow air to enter the airwash inlets. The hearth temperature can, in extreme conditions, exceed 100°C and therefore a constructional hearth is required. The positioning of the stove and the size of the hearth are governed by building regulations for Class 1 appliances. These building regulations state that the hearth must extend in front of the

stove by at least 300mm (12 inches) and to the sides of the stove by at least 150mm (6 inches). If in doubt as to the positioning of the stove expert advice should be sought either from the supplier or the local building inspector.

The fireplace must allow good circulation of air around the appliance to ensure that maximum heat is transferred to the room and also to prevent the fireplace from overheating. A gap of 150mm (6 inches) each side and 300mm (12 inches) above the appliance should give sufficient air circulation. If a wooden mantelpiece or beam is used in the fireplace it should be a minimum of 460mm (18 inches), and preferably 600mm (24 inches) from the appliance. In some situations it may be necessary to shield the beam or mantelpiece to protect it.

CONNECTIONS TO FLUES

There are several ways of connecting the stove to the flue. These are illustrated in Figs. 5 to 8.

If the optional vertical rear flue connector is used then the chimney may be swept through the appliance, except in the case of a Country 6 fitted with a boiler.

Horizontal lengths of flue must be kept to a minimum and should not be more than 150mm (6 inches) long. The sealing face of the flue collar must be coated with fire cement before fixing to the body of the stove using the two screws provided. The blanking plate must be removed, sealed with fire cement and refitted, care being taken to ensure that the fold on the blanking plate is in line with the lugs on the firebox as shown in Fig. 9. Ensure that the clamping plate does not prevent the throat plate from seating correctly. All flue connections must be well sealed.

SOOT DOORS

It is possible to pass a 16 inch diameter sweeps brush through the appliance but in most back outlet installations it will be necessary to have a soot door to enable the chimney to be swept. The optional vertical rear flue connector does allow the chimney to be swept through the stove.

Soot doors may either be in the actual brickwork of the chimney or in the register plate. Various positions of soot doors are shown in Figs. 5 to 8.

Fig. 5. Vertical Register Plate With Bricked Up Fireplace

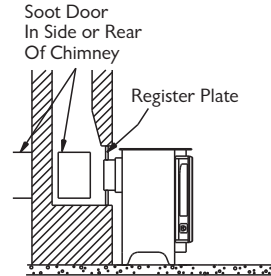


Fig. 6. Horizontal Register Plate With Rear Flue Connection

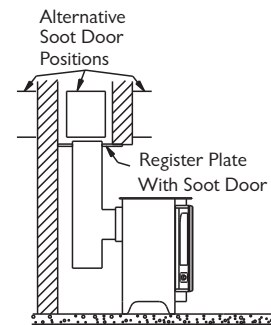


Fig. 7. Horizontal Register Plate With Top Flue Connection

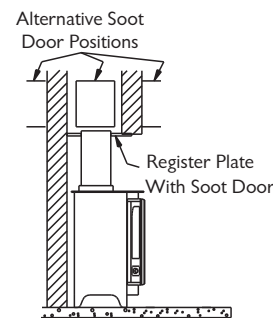


Fig. 8. Horizontal Register Plate With Optional Vertical Rear Flue Connector

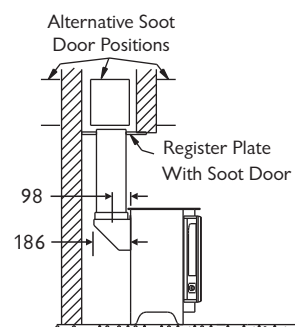
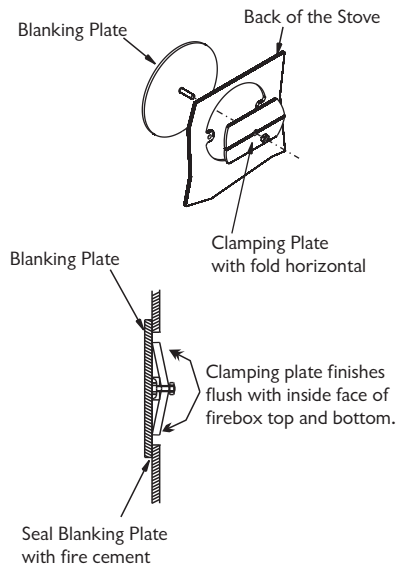


Fig. 9. Flue Blanking Plate.



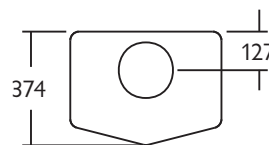
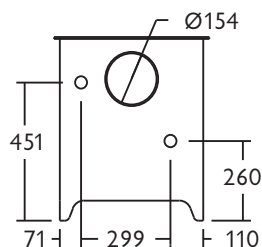
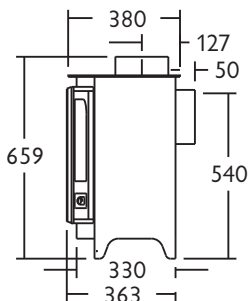
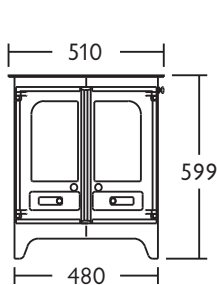
PRE LIGHTING CHECK

Ensure that the throat plate is fitted in the roof of the appliance. The location and positioning of the throat plate is shown in Fig.3. Before initial lighting check that the front fence is fitted correctly and that the doors tighten properly. If the multi-fuel grate has been fitted, check that it operates correctly.

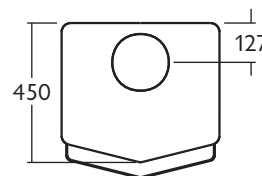
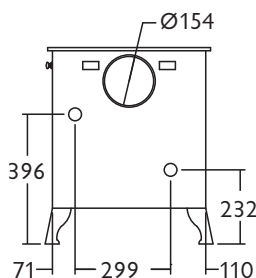
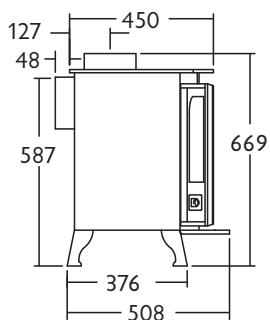
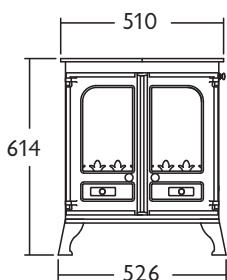
COMMISSIONING

On completion of the installation and after allowing a suitable period of time for the fire cement and mortar to dry out, make a layer of ash or sand on the base of the stove before lighting it and checking to ensure that smoke and fumes are taken from the appliance up the chimney and emitted safely. Also check all joints and seals. On completion of the installation and commissioning please leave the operating instructions with the customer and advise them on the use of the appliance.

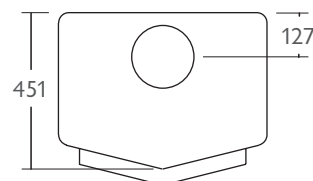
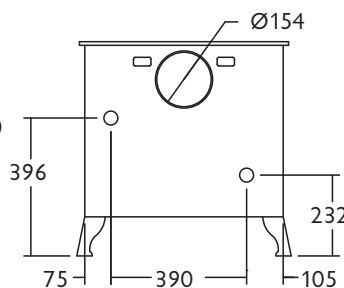
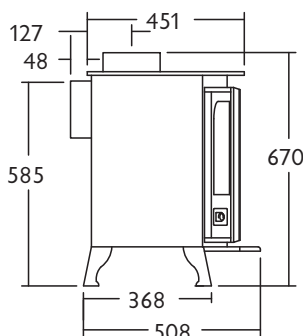
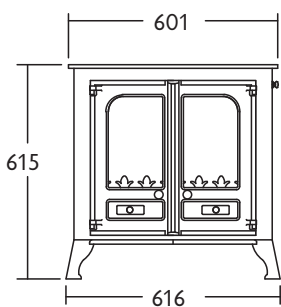
OVERALL DIMENSIONS (MM)



Country 6 MkII



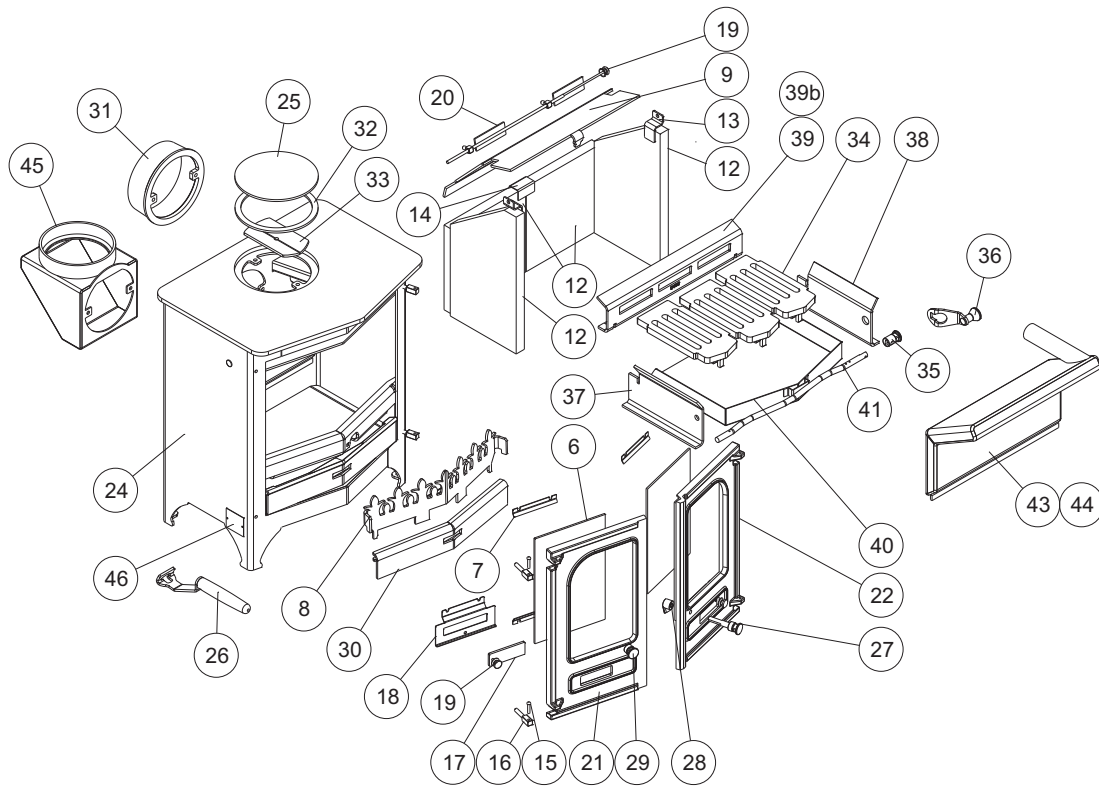
Country 8WB MkII



Country 12WB MkII

COUNTRY 6 MKII PARTS LIST

Issue J



Item	Part No.	Description	Item	Part No.	Description
3*	008/LV35/S	Door Seal Set Incl. Adhesive	28	002/AY14	Door Catch Cam
4*	008/FW29	Door Seal Adhesive	29	002/DY19	Left Hand Door Knob
5*	008/RW55	Glass Seal Kit	30	010/DY14	Wood Ash Retainer
6	006/LW30	Glass (Inc Seal)	31	002/CH12B	Flue Collar
7	004/GV23	Glass Retainer	32	010/NV11	Flue Spacer Ring
8	010/DY08	Fuel Retainer	33	010/AY51	Clamping Plate
9	010/DY31	Throat Plate	34**	002/DY03	Grate Plate
12	011/GV28S	Set of Fire Bricks	35**	002/DY21	Riddler Knob
13	004/GV27	Brick Retainer	36**	008/DY27	Riddling Tool
14	004/GV24	Rear Brick Joining Bracket	37**	010/DY05L	Side Grate Support Plate L.H.
15	008/BW39/S	Hinge Pin Set	38**	010/DY05R	Side Grate Support Plate R.H.
16	008/FW27	Hinge Post	39**	010/DY06	Rear Grate Support Plate
17	012/TW14	Primary Air Slide	39b	010/DY06B	Rear Grate Sup't Plate (Use With Boiler)
18	004/DY26	Primary Air Slide Guide	40**	004/DY17	Ashpan
19	002/TW13	Air Control Knob	41**	010/DY13	Riddler Rod
20	004/TW48	Airwash Slide	42*	008/DY23	Riddler Rod Retaining Clips (Pack of 10)
21#	002/GV01/A	Left Hand Door Assembly	42a	010/DY20	Multi Fuel Kit (Optional Extra)
22#	002/GV02/A	Right Hand Door Assembly	43	010/TW50	Boiler, Steel (Optional Extra)
23	010/TW55	Flue Collar For Cast Pipe (Opt'l Extra)	44	010/TW50/SS	Boiler, Stainless Steel (Optional Extra)
24	001/DY10	Firebox (Country 6 MkII)	45	010/TW33	Vert. Rear Flue Connector (Opt'l Extra)
25	012/TW09	Blanking Plate	46	012/GV11	Serial No. Label
26	012/BV20/A	Ashpan / Door Opening Tool	47*	010/EW51	Ash Carrier (Optional Extra)
27	002/DY18	R.H. Door Knob & Spindle	48*	010/GV14	Add-on Shelf

* These items are not shown on the drawing.

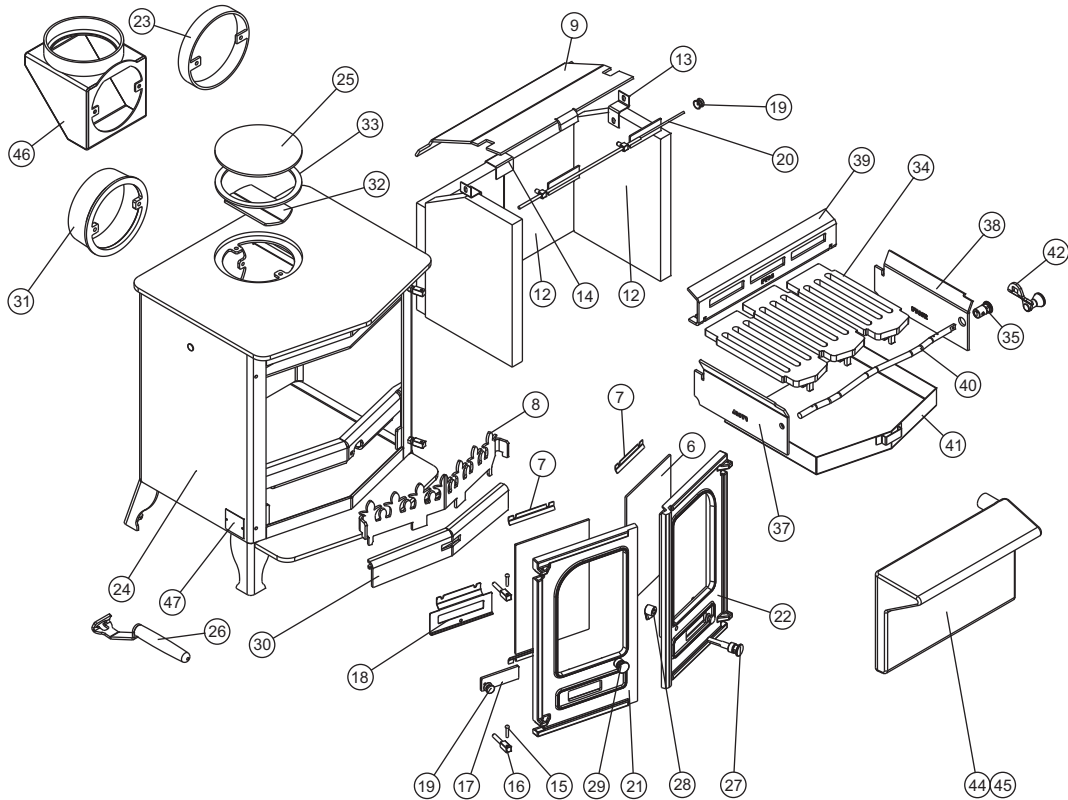
** These items are included in the optional multi-fuel kit.

Please specify colour when ordering.

To obtain spare parts please contact your local stockist giving Model, Part No. and Description. In case of difficulty contact the manufacturer at the address shown. This drawing is for identification purposes only.

COUNTRY 8 MKII PARTS LIST

Issue I



Item	Part No.	Description	Item	Part No.	Description
3*	008/LV35/S	Door Seal Set Incl. Adhesive	27	002/DY18	R.H. Door Knob & Spindle
4*	008/FW29	Door Seal Adhesive	28	002/AY14	Door Catch Cam
5*	008/RW55	Glass Seal Kit	29	002/DY19	Left Hand Door Knob
6	006/LW30	Glass (Inc Seal)	30	010/DY14	Wood Ash Retainer
7	004/GV23	Glass Retainer	31	002/CH12B	Flue Collar
8	010/DY08	Fuel Retainer	32	010/AY51	Clamping Plate
9	010/LV31	Throat Plate	33	010/NV11	Flue Spacer Ring
12	011/LV28S	Set of Fire Bricks	34**	002/FY03	Grate Plate
13	004/XV30	Brick Retainer	35**	002/DY21	Riddler Knob
14	004/LV24	Rear Brick Joining Bracket	36*	010/EW51	Ash Carrier (Optional Extra)
15	008/BW39/S	Hinge Pin Set (4 per set)	37**	010/FY05L	Side Grate Support Plate L.H.
16	008/FW27	Hinge Post	38**	010/FY05R	Side Grate Support Plate R.H.
17	012/TW14	Primary Air Slide	39**	010/FY06	Rear Grate Support Plate
18	004/DY26	Primary Air Slide Guide	40**	010/DY13	Riddler Rod
19	002/TW13	Air Control Knob	41**	004/LV17	Ashpan
20	004/TW48	Airwash Slide	42**	008/DY27	Riddling Tool
21#	002/GV01/A	Left Hand Door Assembly	43*	008/DY23	Riddler Rod Retaining Clips (pack of 10)
22#	002/GV02/A	Right Hand Door Assembly	43a	010/FY20	Multi Fuel kit (Optional Extra)
23	010/TW55	Flue collar for Cast Pipe (Opt'l Extra)	44	010/LV25	Boiler Steel (Optional Extra)
24	001/FY10	Firebox (Country 8 WB MkII)	45	010/LV25/SS	Boiler Stainless Steel (Optional Extra)
25	012/TW09	Blanking Plate	46	010/TW33	Vert. Rear Flue Connector (Opt'l Extra)
26	012/BV20/A	Ashpan / Door Opening Tool	47	012/LV11	Serial No. Label

* These items are not shown on the drawing.

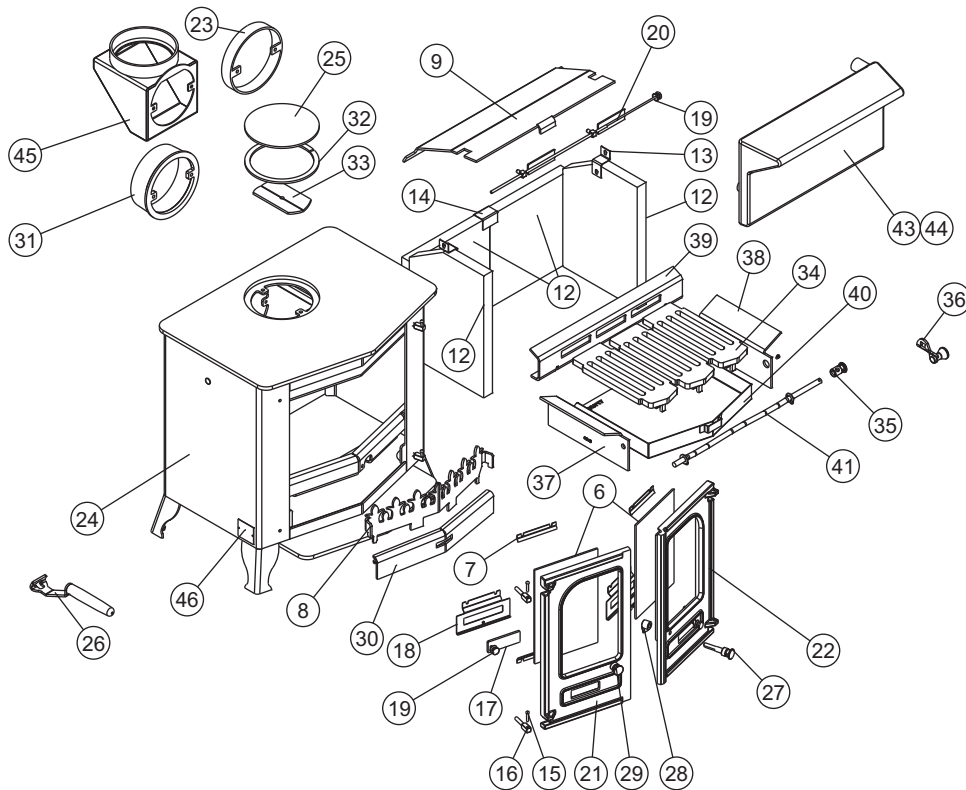
** These items are included in the optional multi-fuel kit.

Please specify colour when ordering.

To obtain spare parts please contact your local stockist giving Model, Part No. and Description. In case of difficulty contact the manufacturer at the address shown. This drawing is for identification purposes only.

COUNTRY 12WB MKII PARTS LIST

Issue H



Item	Part No.	Description	Item	Part No.	Description
3*	008/LV35/S	Door Seal Set Incl. Adhesive	27	002/DY18	R.H. Door Knob & Spindle
4*	008/FW29	Door Seal Adhesive	28	002/AY14	Door Catch Cam
5*	008/RW55	Glass Seal Kit	29	002/DY19	Left Hand Door Knob
6	006/LW30	Glass (Inc Seal)	30	010/DY14	Wood Ash Retainer
7	004/GV23	Glass Retainer	31	002/CH12B	Flue Collar
8	010/DY08	Fuel Retainer	32	010/NV11	Flue Spacer Ring
9	010/MV31	Throat Plate	33	010/AY51	Clamping Plate
12	011/MV28S	Set of Fire Bricks	34**	002/FY03	Grate Plate
13	004/XV30	Brick Retainer	35**	002/DY21	Riddler Knob
14	004/LV24	Rear Brick Joining Bracket	36**	008/DY27	Riddling Tool
15	008/BW39/S	Hinge Pin Set	37**	010/GY04	Side Grate Support Plate L.H.
16	008/FW27	Hinge Post	38**	010/GY05	Side Grate Support Plate R.H.
17	012/TW14	Primary Air Slide	39**	010/GY06	Rear Grate Support Plate
18	004/DY26	Primary Air Slide Guide	40**	004/LV17	Ashpan
19	002/TW13	Air Control Knob	41**	010/GY13	Riddler Rod
20	004/GY14	Airwash Slide	41a	010/GY20	Multifuel Kit (Optional Extra)
21#	002/GV01/A	Left Hand Door Assembly	42*	008/DY23	Riddler Rod Retaining Clips (Pack of 10)
22#	002/GV02/A	Right Hand Door Assembly	43	010/MV25	Boiler, Steel (Optional Extra)
23	010/TW55	Flue Collar For Cast Pipe (Opt'l Extra)	44	010/MV25/SS	Boiler, Stainless Steel (Optional Extra)
24	001/GY10	Firebox (Country 12 WB MkII)	45	010/TW33	Vert. Rear Flue Connector (Opt'l Extra)
25	012/TW09	Blanking Plate	46	012/MV11	Serial No. Label
26	012/BV20/A	Ashpan / Door Opening Tool	47*	010/EW51	Ash Carrier (Optional Extra)

* These items are not shown on the drawing.

** These items are included in the optional multi-fuel kit.

Please specify colour when ordering.

To obtain spare parts please contact your local stockist giving Model, Part No. and Description. In case of difficulty contact the manufacturer at the address shown. This drawing is for identification purposes only.

charnwood



A.J WELLS & SONS LTD

10

Bishops Way, Newport, Isle of Wight PO30 5WS, United Kingdom

EN13240:2001

country

6 • 8 • 12

ROOMHEATERS FIRED BY SOLID FUEL

	Country 6	Country 8	Country 12
EC certificate of conformity no:	DY44-CPD-2006	FY44-CPD-2006	GY44-CPD-2006
Minimum distance to combustible materials:			
Side:	550mm	600mm	600mm
Rear:	550mm	600mm	600mm
Emission of CO in combustion products:	0.56%	0.45%	0.45%
Flue gas temperature:	269°C	319°C	414°C
Space heating thermal output:	7.2kW	8.2kW	12.0kW
Energy efficiency:	80.5%	79.8%	74.1%
Fuel types:	Wood Logs	Wood Logs	Wood Logs

your premier dealer

REV/COUNTRY 6.8 17/12/06.13

