

**T H E  
G A L L E R Y  
C O L L E C T I O N**

**INSTALLATION AND OPERATING  
INSTRUCTIONS**

**CE** APPROVED - CONFORMING TO EN13240:2001 and  
EN13240 A2:2004

**APPLICABLE TO THE FOLLOWING STOVE MODELS:**

**FIREFOX 8 ECO**

**CLASSIC 8 ECO**

**STOVES MUST BE FITTED BY APPROVED, QUALIFIED AND  
COMPETENT INSTALLERS**

**PLEASE LEAVE THIS BOOKLET WITH THE HOUSEHOLDER**

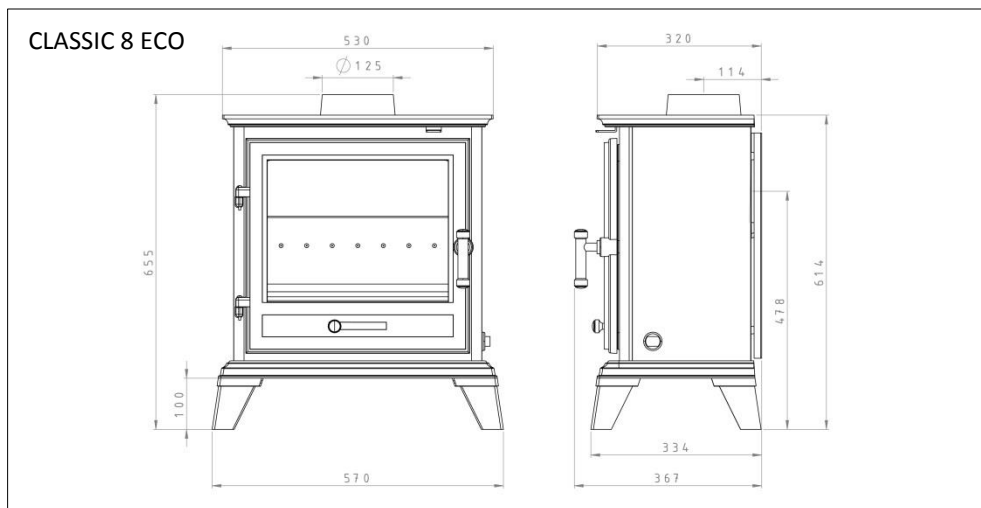
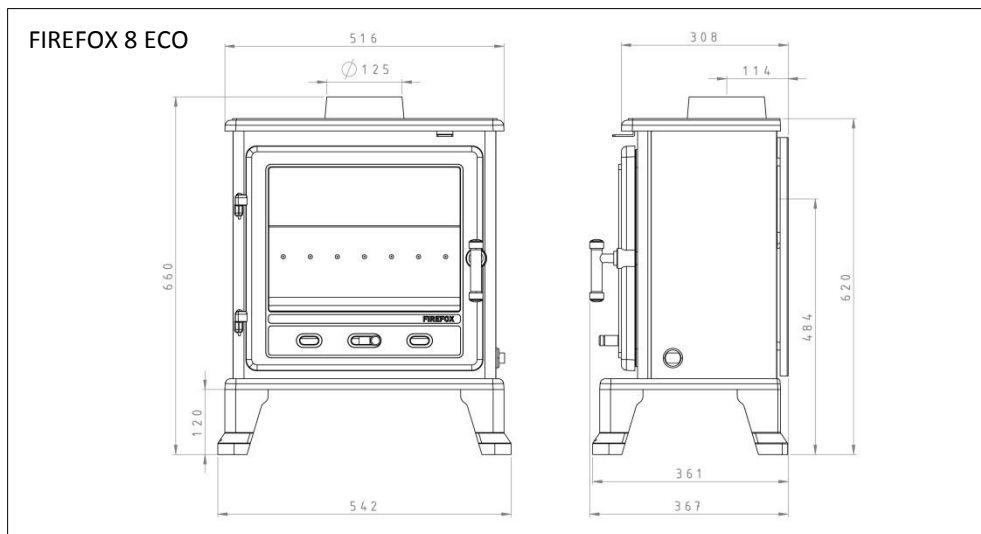
**Stoves operate at very high temperatures. All persons  
including children and the infirm should be warned of this and not  
allowed to touch any surfaces whilst in use. The operator must use  
the glove provided.**



## **CONTENTS**

STOVE DIMENSIONS, OUTPUT & EFFICIENCY	PAGE 04
INSTALLATION	PAGE 05
OPERATION	PAGE 11
GENERAL MAINTENANCE	PAGE 17
SAFETY NOTES & TROUBLESHOOTING	PAGE 19
STOVE ACCESSORIES	PAGE 22
COMPONENT PARTS	PAGE 23
TECHNICAL FICHE	PAGE 30

## STOVE DIMENSIONS, OUTPUT AND EFFICIENCY



	WOOD	ANTHRACITE
EFFICIENCY	84%	71.5%
FLUE GAS TEMPERATURE	244 °C	280°C
EMISSION OF CO @ 13% O2	0.11%	0.24%
RATED OUTPUT	5.0kW	5.0kW
OUTPUT RANGE*	2.5 – 8.0kW	2.5 – 8.0kW

\*See page 10 for ventilation requirements.

Outputs stated are under ideal test conditions carried out at SGS Environmental Services in the Netherlands. Variations may occur due to installation, atmospheric conditions and fuel quality.

## **INSTALLATION, OPERATION AND MAINTENANCE**

**IMPORTANT: THIS APPLIANCE MUST BE INSTALLED BY A COMPETENT PERSON AND THE INSTALLATION MUST COMPLY WITH BS8303 – CODE OF PRACTICE FOR INSTALLATION OF DOMESTIC HEATING AND COOKING APPLIANCES BURNING SOLID MINERAL FUEL, NATIONAL BUILDING REGULATIONS, LOCAL BY-LAWS AND STANDARDS AND THE REQUIREMENTS OF THE HEALTH AND SAFETY AT WORK ACT - IN PARTICULAR:**

**HANDLING** – ADEQUATE FACILITIES MUST BE AVAILABLE FOR LOADING, UNLOADING AND SITE HANDLING.

**FIRE CEMENT** – SOME TYPES ARE CAUSTIC AND SHOULD NOT BE ALLOWED TO COME INTO CONTACT WITH THE SKIN. IN CASE OF CONTACT WASH IMMEDIATELY WITH PLENTY OF WATER.

**ASBESTOS** – THESE STOVES CONTAIN NO ASBESTOS. IF THERE IS A POSSIBILITY OF DISTURBING ANY ASBESTOS IN THE COURSE OF INSTALLATION THEN PLEASE SEEK THE GUIDANCE OF A SPECIALIST AND USE APPROPRIATE PROTECTIVE EQUIPMENT.

**METAL PARTS** – WHEN INSTALLING OR SERVICING THIS STOVE CARE SHOULD BE TAKEN TO AVOID THE POSSIBILITY OF PERSONAL INJURY

**UNLESS THE INSTALLER IS QUALIFIED TO APPROVE INSTALLATION THEN APPROVAL MUST BE SOUGHT FROM YOUR LOCAL BUILDING CONTROL DEPARTMENT. THE SUPPLIERS ACCEPT NO RESPONSIBILITY IF THIS ADVICE IS NOT FOLLOWED. THIS APPLIANCE HAS BEEN EXTENSIVELY TESTED FOR SAFETY AND EFFICIENCY, DO NOT ATTEMPT TO MODIFY IT. ALWAYS USE GENUINE REPLACEMENT PARTS AS RECOMMENDED BY YOUR SUPPLIER. FAILURE TO ADHERE TO THIS ADVICE WILL INVALIDATE YOUR GUARANTEE.**

**TRY TO AVOID FITTING AN EXTRACTOR FAN IN THE SAME ROOM AS THIS STOVE. IF THIS IS UNAVOIDABLE THEN SEEK SPECIALIST ADVICE TO ENSURE THAT THE INSTALLATION IS TESTED FOR SAFETY. A SUITABLE TEST COMPRISES CHECKING FOR SPILLAGE IF THE ROOM WHERE THE APPLIANCE IS FITTED IS SUBJECTED TO THE GREATEST POSSIBLE DEPRESSURISATION. THIS MEANS FIRING THE APPLIANCE WITH ALL THE EXTRACT FANS IN THE BUILDING OPERATING AT THEIR MAXIMUM AND WITH ALL DOORS, ADJUSTABLE VENTILATORS AND WINDOWS CLOSED. IF SPILLAGE OCCURS THEN ADDITIONAL PERMANENT VENTILATION DIRECT FROM OUTSIDE WILL BE REQUIRED. ONCE THE ADDITIONAL VENTILATION IS FITTED, RETEST AS NOTED ABOVE,**

**IT IS ESSENTIAL AND REQUIRED BY BUILDING REGULATIONS THAT A CARBON MONOXIDE (CO) ALARM IS INSTALLED IN THE SAME ROOM AS THIS STOVE.**

**THIS STOVE MUST HAVE ITS OWN CHIMNEY AND MUST NOT SHARE A CHIMNEY WITH ANOTHER APPLIANCE.**

**THIS STOVE IS FOR INTERMITTENT USE ONLY AND SHOULD BE SHUT DOWN OVERNIGHT.**

**VENTILATION MAY BE REQUIRED INTO YOUR ROOM, PLEASE SEE PAGE 10.**

## INSTALLATION

Once the installation is complete, the installer must advise the householder on the correct use of the stove and warn them to use only the recommended fuels listed in this document. The installer must also advise the householder on the actions to be taken should smoke or fumes be emitted from the stove.

This stove must not share a chimney with any other appliance

Where the chimney is believed to have previously served an open fire installation it is possible that the higher flue gas temperature from a closed appliance may loosen deposits that were previously firmly adhered, with the consequent risk of flue blockage. It is therefore recommended that the chimney be swept a second time within a month of regular use after installation.

Check the chimney is in good condition, dry, free from cracks, leaks and obstructions. The diameter of the flue should not be less than 150mm and not more than 230mm. If any of these requirements are not met, the chimney should be lined by a suitable method.

A 125mm flue liner may be used in accordance with the Building Regulations. The chimney and connecting flue pipe should not narrow to less than the size of the outlet socket (collar) of the stove at any point. It is essential that only recommended fuels are used – see page 15 for more information.

The chimney height and the position of the chimney terminal must conform to Building Regulations and the latest edition of BS EN 15287-1:2007, Design, Installation and Commissioning of Chimneys should be followed.

A flue draught of minimum 12 Pascals is required for satisfactory appliance performance. The flue draught should be checked under fire at high output and if it exceeds 25Pa, a draught stabiliser may be required so that the rate of burning can be controlled, and to prevent possible over-firing.

If you have any doubts about the suitability of your chimney, consult your local dealer/stockist. He will also be able to provide advice about the possible need for a specialist cowl.

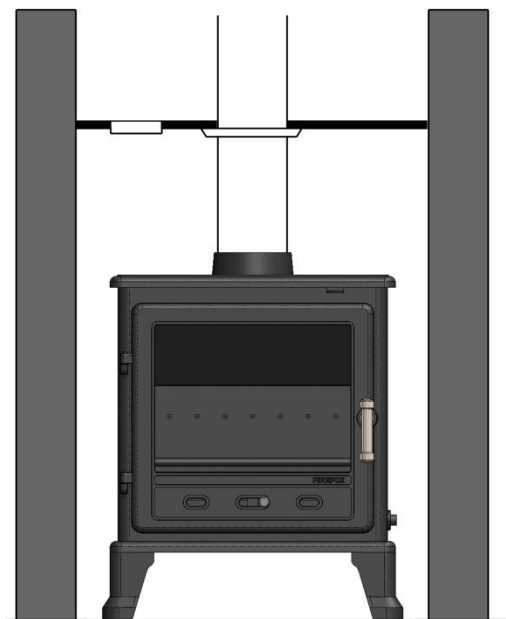
The chimney must be swept before connection to the stove and swept every twelve months thereafter. It is recommended that your chimney is swept every six months.

An existing fireplace opening can be modified to accommodate the stove. The following pages identify some typical installation scenarios and provides the necessary specific installation information for your new stove. Always consult your stove supplier for a detailed survey of your particular circumstances. To make it easier to handle the stove on installation, remove the baffle plates, bricks and door. Place in a secure place to avoid damage. Refit after installation.

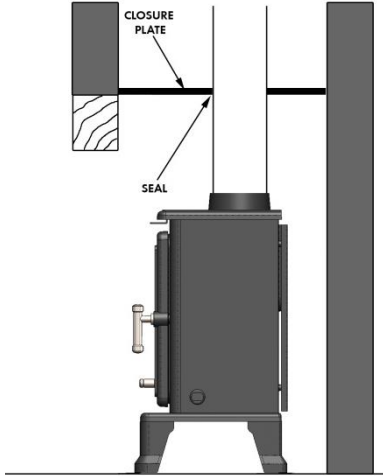
Upon completion of installation, the appliance should be checked under fire for soundness of joints and seals, and also that all smoke and fumes are taken from the appliance, up the chimney and emitted safely.

### **Typical Installation for Inglenook Fireplaces – top flue**

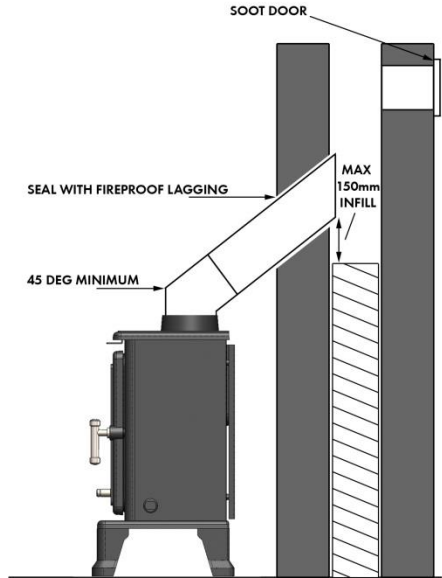
Inglenook fireplaces can have very large bore chimneys. Check with your installer – you are likely to require a stainless steel flexible liner for solid fuel if your chimney is larger than 230mm x 230mm. A closure plate with access for cleaning may also be required together with a short length of flue pipe of the same diameter as the stove flue collar.



## Typical Installation for Inglenook Fireplaces – rear flue – Side View



## Typical Installation Into In-filled Masonry Fireplaces



## SPECIFIC INSTALLATION INFORMATION

### Legs

Remove the legs from inside the stove. Carefully lay the stove on its back and using the screws provided fit the legs in place. Carefully set the stove upright and check that all internal components are correctly positioned.

### Clearances

If the stoves are to be installed adjacent to materials that can catch fire like wood then the following clearances must be adhered to:

**Clearance to rear = 600mm**

**Clearance to sides = 600mm**

The stove can be recessed into a suitably sized fireplace built from non-combustible materials, but a permanent free air gap of at least 100mm should be left around the sides and top to obtain maximum heat output and for access to the rear of the stove.

It is possible to fit the stove with less clearance around it – down to 50mm, but the non-combustible material around it must be at least 150mm thick. This is normally achieved when installing into a standard brick-built chimney breast with double thickness walls to the rear and sides of the builder’s opening. Take care that the wall finish is suitable to withstand temperatures of up to 200°C.

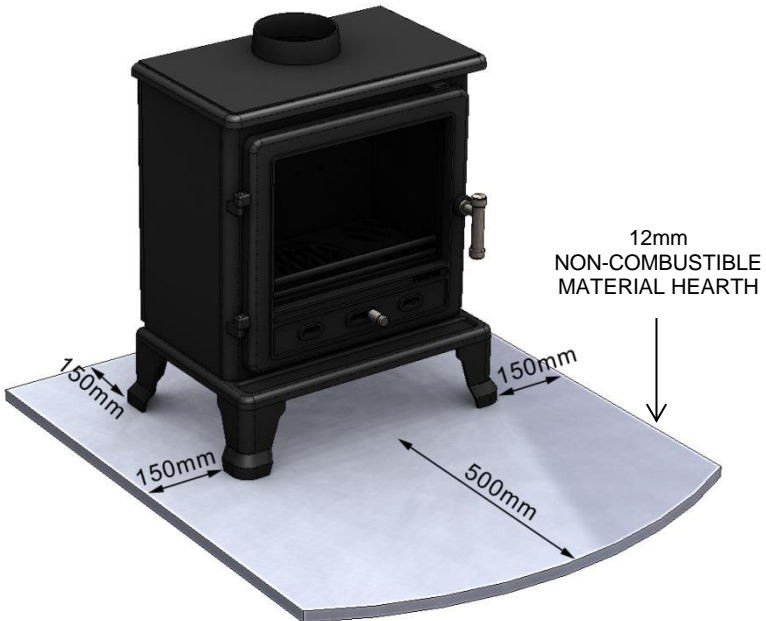
**Hearths**

Allow an apron of at least 225mm at the front of the stove and 150mm on either side. Care should be taken to level the stove and secure the hearth. If existing floors do not have adequate load bearing capacity then suitable modifications must be adopted.

When the stove is in the desired position, fix the brackets provided to the back feet and level the stove using the levelling screws, then mark the hearth through the holes, remove the stove, and drill and plug the hearth for securing the stove.

**Light Duty Hearths**

So long as the stove is installed in accordance with the minimum clearance distances below then a light duty hearth may be placed on a wooden floor. Note that all clearance distances to combustible materials must be adhered to (see page 8).





**Ventilation Into a Room For Combustion Air is an Essential Requirement. Any apertures provided for this purpose must not be restricted or blocked.**

### **Flues Without a Flue Draft Stabiliser 2.5kW-5kW Output**

When installing without a flue draft stabiliser into houses built before 2008, no additional permanent ventilation will be required.\* Houses built after this date will require additional means of permanent ventilation direct to outside of at least 4400 mm<sup>2</sup>. \* Note: Installers must verify adequate draw and install ventilation if required. See Appendix F of Building Regulations Approved Document J.

**5kW-8kW Output** - If you are intending to burn the stove above the independently tested 5kW output, then a permanently open air vent into the room where the stove is situated will be required. For house built before 2008, the vent must have a free area of at least 1650mm<sup>2</sup>. For house built after 2008, the vent must have a free area of at least 4400mm<sup>2</sup>.

### **Flues With a Flue Draft Stabiliser 2.5kW-5kW Output**

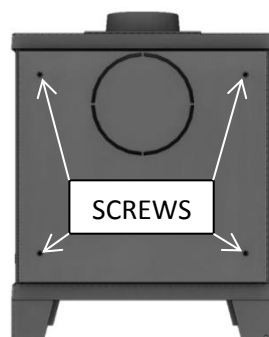
When installing with a flue draft stabiliser into houses built before 2008, at least 1500mm<sup>2</sup> additional means of permanent ventilation direct to outside is required. Houses built after this date will require additional means of permanent ventilation direct to outside of at least 6800 mm<sup>2</sup>.

**5kW-8kW Output** - If you are intending to burn the stove above the independently tested 5kW output, then a permanently open air vent into the room where the stove is situated will be required. For house built before 2008, the vent must have a free area of at least 4050mm<sup>2</sup>. For house built after 2008, the vent must have a free area of at least 6800mm<sup>2</sup>.

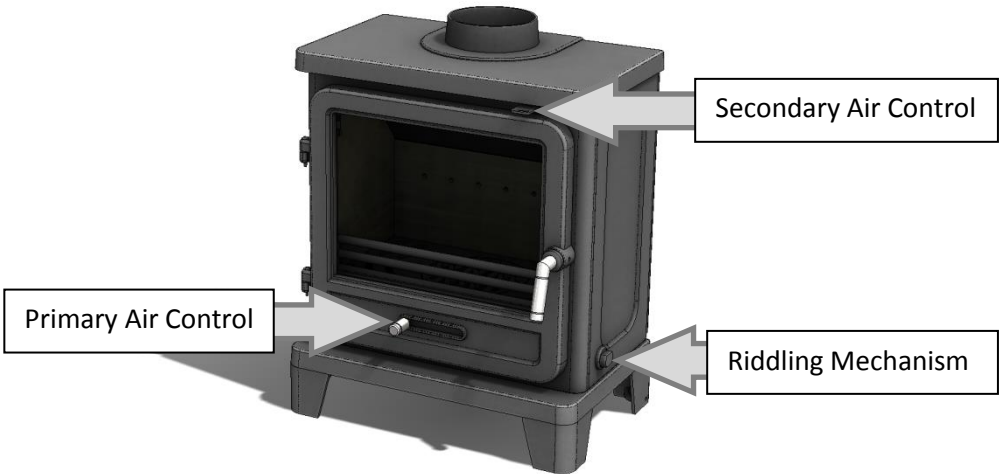
### **Top or Rear Flue**

Remove the collar and accessory pack from the stove. The stove will arrive with the blanking plate fitted to the rear. This can be removed if required allowing the collar to be fitted for rear flue installations. The circular cut out in the rear heat shield must be removed to enable this style of connection – see image.

Remove the panel from the stove by unscrewing the four screws and then remove the circular cut out for rear flue installations. Replace the rear heat shield. Remember to fit the blanking plate to the unused flue position if it has been removed.



## OPERATION



### Primary Air – Slide Control

#### **ALWAYS OPEN THE STOVE DOOR SLOWLY AND ALWAYS USE THE GLOVE**

Primary air is controlled via the sliding vent in the bottom of the door. This provides an air draught to the bed of the fire. Slide right to open and left to close. Open this when you start a fire, and to regulate anthracite fires. It should be closed when a wood fire is established for the best efficiency.

### Primary Air – Slide Control

Slide right to open and left to close. Open this when you start a fire, and to regulate anthracite fires. It should be closed when a wood fire is established for the best efficiency.

### Secondary Air

Secondary air is controlled via the sliding vent above the door, it is this 'airwash' that keeps a clean and uninterrupted view of the fire, also aiding good secondary combustion of fuel and reducing emissions into the chimney and

environment. Slide to the right to open and to the left to close. Use this to control wood fires. It should be closed when burning anthracite for the best efficiency after the fire is established.

## **Tertiary Air**

A tertiary air supply is bled into the stove from the rear panel. Its function is to ignite unburned gasses assisting with a clean burn. It is advisable to clear these holes from time to time with a brush, especially when the stove is being serviced or after long periods of burning. **ONLY CARRY OUT THIS AND ALL SERVICING PROCEDURES WHEN THE STOVE IS COLD.** This tertiary air supply is permanently open and allows a small amount of air into the stove. Operation with air controls open can cause excess smoke. These stoves must not be operated with air controls left open except as directed in these instructions.

## **Lighting the Stove**

It is essential that you have three or four small fires before you operate the stove to its maximum heat output. This is to allow the paint to cure and to “temper” your cast iron stove. We recommend this ‘running-in’ procedure after long shutdowns to preserve the life of stove. During the curing of the paint you may notice an unpleasant smell. It is not toxic, but for your comfort we would suggest that during this period you leave doors and windows open.

First, load the fire with starting fuel i.e. paper, dry kindling timber (about the thickness of your thumb) and/or firelighters in the mode chosen, either wood or coal products. **It is normal to see smoke come from the open stove door at this stage.**

Light the fire at base leaving all air controls fully open. Allow the fuel to reach a steady glow and build up the fire gradually. Once you have a good fire established across the fire bed, further fuel can be added as required.

When your fire is well established you can start to restrict the primary air intake. If you are burning only wood, the primary air control can be fully closed. If you are burning solid fuel you will require some primary air. Your stove is burning with maximum efficiency when a bright fire is achieved using minimum air inlet and a stove thermometer (purchased separately) registers within the “Best Burn” range.

## Wood Burning

Wood burns best on a bed of ash and it is therefore only necessary to remove surplus ash from the grate occasionally. Burn only kiln dried or well-seasoned wood, which should have been cut, split and stacked under cover for at least 36 months, with free air movement around the sides of the stack to enable it to dry out. Burning wet or unseasoned wood will create tar deposits in the stove and chimney and will reduce heat output. Tar deposits, if allowed to build up, are a major cause of chimney fires. This tar also is the main cause of blackened stove windows. A wood moisture meter is a handy device to have.

Once established and for the best results from your stove, load 1kg of good quality dry wood per 45 minute period with the primary air control fully closed and the secondary air control about half to two-thirds closed. Logs can be up to 300mm or 12" long. If you are intending to burn the stove above the independently tested 5kW output, then do not exceed a load of 2kg of good quality dry wood per 45 minute period with the air controls in the same position as noted above.

Of course, best burning depends on the quality of wood, draft and stove settings, so please do experiment to find your own best settings and the best position on your stove thermometer.

## Other Solid Fuel Burning

Always clean out the ash pan before refuelling and do not let the ash build up to the underside of the grate bars – this will severely reduce the life of the grate and prevent efficient burning. Solid fuel produces ash, which if allowed to build up, will stifle the air flow through the grate and eventually cause the fire to die. **Caution** – only empty the ash pan when the stove is cool.

With some solid fuels a residue of burnt fuel or clinker will accumulate on the grate, allow the fire to go out periodically to remove this.

Once established and for the best results, load about .75 kg of anthracite or equivalent per 45 minute period with the primary air control about half way open and the secondary air control fully closed. If you are intending to burn the stove above the independently tested 5kW output, then do not exceed a load of

1.5kg of anthracite or equivalent per 45 minute period with the air controls in the same position as noted above.

When loading fuel, ensure that the series of tertiary air holes on the rear chamber brick are not covered by the fuel.

Of course best burning depends on the type of fuel being burnt, draft and stove settings, so please do experiment to find your own best settings.

## **De-Ashing**

During stove use, whilst burning anthracite or a mix of wood and anthracite, from time to time the riddler must be used to remove ash ensuring airflow through the fire bed and allowing the fire to burn over the whole grate. The riddling knob is located on the right hand side of the stove. The supplied stove tool must be used to turn this knob. Placing the 'spanner' end of the tool over the knob, rotate the tool clockwise and anti-clockwise – back and forwards until the fire shows signs of more air reaching un-burnt fuel. Do not force this

mechanism if it becomes very hard to move – there may be some debris caught in the grate – if this is the case, carefully open the stove and using a poker in a gloved hand, gently agitate the fuel bed.

## **Recommended Fuels**

*Please note that HETAS Ltd Appliance Approval only covers the use of wood logs and approved smokeless fuels on this appliance. HETAS Ltd. Approval does not cover the use of other fuels either alone or mixed with the recommended fuels listed above, nor does it cover instructions for the use of other fuels*

**Wood** - Only kiln-dried or well-seasoned wood with a moisture content reading of less than 18% is recommended. A moisture meter is a handy device to have and is available from your supplier. As a rule-of-thumb, wood seasons at about 1" (25mm) per year, so a log split such that along its length no dimension is greater than 3" (75mm), it would take about 3 years to dry. A dry log will produce up to four and a half times more heat output than a freshly cut log. Wet logs take heat to dry.

**Other Solid Fuel** – “Authorised” fuels include anthracite large nuts, smokeless briquetted fuel, ie. Ancit, Phurnacite, Taybrite, Homefire Ovals suitable for closed appliances.

**Smokeless Briquetted Fuel** – Only burn smokeless briquettes that are <2% sulphur content, these will be labelled up as “HETAS approved” or “DEFRA authorised for use in a smoke control zone”. Cheaper smokeless briquettes are oil based and have a much higher sulphur content than the approved briquettes, these are not authorised for use on this appliance. If in doubt consult your retailer.

### **Unauthorised Fuels**

DO NOT burn Wildfire, bituminous coal, Housecoal, household coal, petroleum cokes or household waste. If in doubt consult your merchant or the Solid Fuel Association.

Please note that when refuelling with solid fuel, do not pile fuel higher than 30 degrees from the front bar rearwards – over-fuelling can cause excess smoke and produce temperatures beyond the designed rating of the appliance causing damage to internal parts.

This stove is designed to be operated with the door closed, except for refuelling. Not only is it unsafe to operate with the door open but the appliance efficiency will be significantly reduced and excess smoke can occur.

This stove is designed to operate intermittently and must not be used as an overnight burner.

### **Clean Burn - The Clean Air Act 1993 and Smoke Control Areas**

Local authorities may declare the whole or part of their zone to be a smoke control area. It is an offence to emit smoke from a chimney of a building if located in a designated smoke control area. It is also an offence to acquire an "unauthorised fuel" for use within a smoke control area unless it is used in an "exempt" appliance.

The Secretary of State for Environment, Food and Rural Affairs has powers to authorise smokeless fuels or exempt appliances for use in smoke control areas in

England. In Scotland and Wales this power rests with Ministers in the devolved administrations for those countries. Separate legislation, the Clean Air (Northern Ireland) Order 1981, applies in Northern Ireland. Therefore it is a requirement that fuels burnt or obtained for use in smoke control areas have been "authorised" and that appliances used to burn solid fuel in those areas (other than "authorised" fuels) have been exempted for each area of administration. Further information on the requirements of the Clean Air Act can be found here: <https://www.gov.uk/smoke-control-area-rules>

This stove has been recommended as suitable for use in smoke control areas when burning dry wood and the "authorised" smoke free solid fuels.

The "authorised" solid fuels you are permitted to burn in a smoke control zone include: anthracite (this is naturally occurring smokeless fuel and is the test fuel normally used and recommended), Ecoal 50, Homefire, Homefire ovals, Phurnacite, Taybrite and Multiheat.

### **Refuelling Onto a Low Fire Bed**

If the fire bed is not sufficient to light a new fuel charge, excessive smoke emission can occur. Refuelling must be carried out onto a bed of glowing embers and ash such that the new fuel ignites in a reasonable period. If there are too few embers in the fire bed, add kindling to prevent excessive smoke.

### **Fuel overloading**

The maximum amount of fuel specified in this manual should not be exceeded, overloading can cause excess smoke.

### **Operation with door left open**

Operation with the door open can cause excess smoke. The appliance must not be operated with the appliance door left open except as directed in the instructions.

### **Dampers left open**

Operation with the air controls or appliance dampers open can cause excess smoke. The appliance must not be operated with air controls, appliance dampers or door left open except as directed in the instructions.

## **GENERAL MAINTENANCE (only ever carry out maintenance when the stove is cold).**

The following elements of maintenance may be carried out by the householder. Any structural repairs, e.g. panel, collar or stove pipe replacement must be carried out by a suitably qualified installer.

### **Baffle Plate Removal and Replacement**

Note the position before removal. To remove baffle plate, firmly push the baffle plate upwards then bring forwards so that the back edge of the baffle plate drops down from the rear fire brick that it was resting upon. The plate can now be withdrawn through the open doorway of the stove.

To replace, place the baffle plate inside the stove in the correct alignment. Angle the plate so that the front edge is higher than the back edge and lift high into the stove so that the front edge locates on the steel ledge at the top of the stove and the back edge of the plate can be re-positioned on top of the rear fire brick.

### **Sweeping the Chimney**

Your chimney should be cleaned each year before starting to use your stove for the winter. Birds may have nested in the chimney or the masonry may have cracked. Both chimney and flue pipe must be swept at least once a year. It is recommended that you have your chimney swept every six months. It may be necessary to sweep more frequently when damp wood is burnt regularly. The chimney can be swept through your stove with the baffle plate removed. It is advisable to remove the bricks too in order to avoid accidental damage.

### **Inner Grate Removal and Replacement**

Remove the ash pan and detach the riddling arm from the underside of the circular inner grate. Lift the inner grate vertically and manoeuvre it out of the stove. When replacing, ensure the riddling arm is re-connected to the inner grate.

### **Outer Grate Removal and Replacement**

Remove all the bricks and the inner grate. Lift the outer grate up at an angle left higher than right and manoeuvre the grate out left side first.



## **Stove Body**

The stove is finished with a heat-resistant paint and this can be cleaned with a soft brush. Do not clean whilst the stove is hot – wait until it has cooled down. The finish can be renovated with stove paint available from your supplier.

## **Glass Panels**

Clean the glass panels when cool with stove glass cleaner. Highly abrasive substances should be avoided as these can scratch the glass and make subsequent cleaning more difficult. Wet logs on heated glass, a badly aimed poker or heavy slamming of doors could crack the glass panels. The glass will not fracture from heat.

Should a glass panel require replacement, then remove the four screws and clips retaining the glass frame, carefully remove the broken glass and replace the panel with the correct stove glass from your supplier. Ensure you use new glass

fibre seal around its edge, and use the steel frame, clips and screws to retain it in position.

## **Seasonal Maintenance**

If your stove is to be unused for any length of time, e.g. summer months, then it is recommended that it is cleaned out thoroughly. Air slides should be lightly oiled with WD40 or similar and left partially open to allow air circulation. Regular monitoring of the inside components will identify condensation or water ingress. If these problems occur, then your stove needs to be dried and the cause of the problem rectified. After a shut-down, and before reuse, the appliance should be cleaned again and the chimney swept, it is essential to have the chimney swept at least once annually and it is recommended that it is swept twice a year.

## **Safety Notes and Troubleshooting**

**IT IS ESSENTIAL AND REQUIRED BY BUILDING REGULATIONS THAT A CO ALARM IS INSTALLED IN THE SAME ROOM AS THIS APPLIANCE.**

## **Fires Can Be Dangerous**

Always use a fire guard to BS 8423:2002, Fireguards for Use With Solid Fuel Appliances, in the presence of children, the elderly or the infirm. Inform all

persons of the dangers of high temperatures during operation of appliance including the stove pipe.

Do not use this stove as an overnight burner, when finished for the evening, leave the air controls open to allow the remainder of the fuel to burn out.

Use the glove provided to open the door and never empty the ash pan when it is hot.

### **Do Not Over-Fire**

It is possible to fire the stove beyond its design capacity, this could damage the stove, so watch for signs of over-firing – if any part of the stove starts to glow red, the fire is in an over fire situation, and the controls should be adjusted accordingly. Never leave the stove unattended for long periods without adjusting the controls to a safe setting – careful air supply control should be exercised at all times and only add the recommended quantity of fuels.

### **Smoke and Fumes Entering the Room**

When properly installed and operated, this appliance will not emit fumes into the room. Occasional fumes from de-ashing and refuelling may occur and is normal. Persistent fume emission with closed doors must not be tolerated.

If fume emission does persist, then the following immediate action should be taken:

1. Evacuate the room, opening doors and windows on your exit to ventilate the room.
2. Let the fire go out, or eject and safely dispose of fuel from the appliance.
3. Check for a flue blockage and clean if required.

Do not attempt to relight the fire until the cause has been identified and corrected. If necessary, seek professional advice.

These situations are very dangerous and must NOT be tolerated.

A list of Qualified Engineers is available from

UK Solid Fuel Association  
7 Swanwick Court  
Alfreton  
Derbyshire  
DE55 7AS  
Tel. 0845 601 4406

R. o. I.  
Irish National Fireplace Organisation  
162 Chapel Street  
Dublin  
Ireland  
Tel. 01 801 5959

## **Chimney Fire**

Identified by loud roaring sounds, dense smoke and sparks exiting chimney. Shut down all air supply to stove by closing air vents, ensure the stove door fully closed, call the Fire Brigade immediately. Regular chimney maintenance will prevent chimney fires. Seek advice from a qualified chimney sweep. Chimneys must be checked at least annually or more often when poor quality fuels that are not recommended are burnt

## **Poor Heat Output**

The stove may be too small for room. Seek advice from a qualified heating engineer as to (kW) output required for room size. As a guideline the volume of

the room in cubic feet divided by 500 i.e. room 15' x 15' x 8' would require 3.6kW approx.

## **Chimney and / or flue pipe restricted, room ventilation restricted.**

On Installation these will have been checked but regular maintenance is necessary as conditions can change i.e. soot build up, birds nesting, masonry fall, dust build up or furniture blocking vents.

## **Poor quality fuel.**

Only burn dry seasoned timber, soft woods have a lower heat output than hard woods. Use a moisture meter. Solid fuels vary in heat value, check with your coal merchant as to suitability.

## **Dirty Glass**

Nearly always caused by poor fuel quality – check the moisture content of the wood you are burning with a moisture meter.

Fire burning too low, open the air vents on the stove to create a hot fire, this may 'burn' the glass clean.

If glass requires cleaning use stove glass cleaner from your supplier, only use glass cleaner on cold glass. **DO NOT USE** abrasives or scrapers, these will scratch the glass making tar build up harder to remove. **NEVER** spray aerosols near the appliance when it is alight.

## **Un-burnt Fuel**

Insufficient air reaching fuel - Adjust the air controls to supply combustion air to burn fuel fully. Check if the ash pan is full, empty if required. Front bar/fret may be blocked, de-ash. Check for jammed clinker or nails in grate when the fire is out and cold.

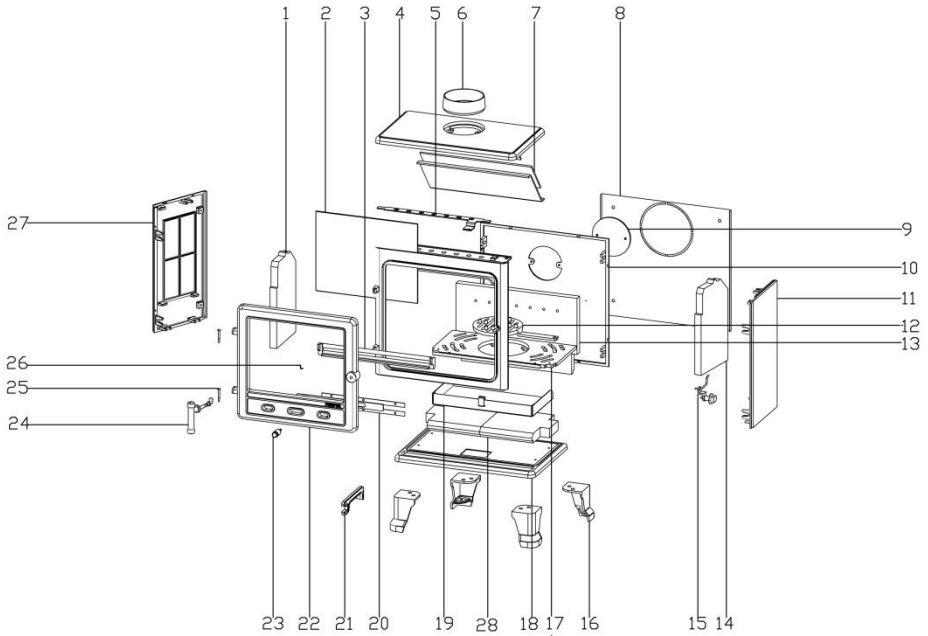
## **STOVE ACCESSORIES**

The following is a list of stove accessories your retailer will be able to supply:

- Matching graphite high temperature paint
- Stove Glass Cleaner
- Spare Rope
- Rope Seal Adhesive
- CO Detector
- Stove Fan
- Stove Thermometer
- Wood Moisture Meter
- Spare Glove
- Permanent Ventilators
- Purpose-built Ash Vacuum Cleaner
- Ash Carrier
- Fire Screens
- Companion Sets
- Log Baskets
- Soot Box

## COMPONENT PARTS – FIREFOX 8 ECO

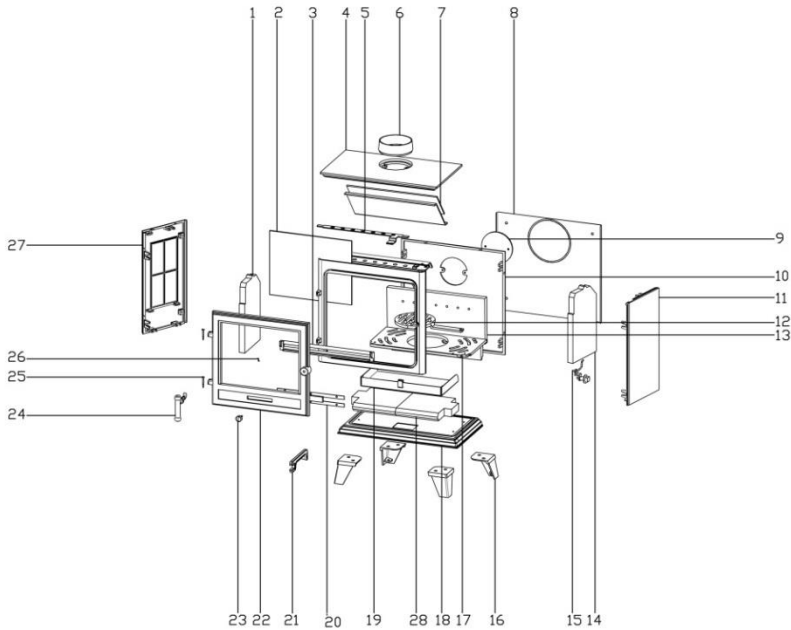
Many spare parts are stocked – please refer to your retailer or supplier if you require any replacement parts. Please only use components made specifically for your stove.



ITEM	DESCRIPTION	CODE	ITEM	DESCRIPTION	CODE
1	Left fire brick	FFVE3012L	15	Riddling mechanism	FFVE3044
2	Glass panel	FFVE3018	16	Stove legs	FFVE8010
3	Front bar	FFVE4011	17	Outer grate	FFVE3005
4	Stove top panel	FFVE8003	18	Stove bottom panel	FFVE8002
5	Secondary air control plate	FFVE2023	19	Ash Pan	FFVE2014
6	Flue collar	FFVE008CE	20	Primary air slide plate	FFVE8020
7	Baffle plate	FFVE3007	21	Stove tool	FFVE029
8	Heat shield	FFVE2032	22	Stove door	FFVE8004NFP
9	Flue blanking plate	FFX009	23	Primary air control knob	FFVE5022B
10	Stove rear panel	FFVE3034	24	Handle assembly	FFVE8016/17
11	Stove right side panel	FFVE5037	25	2 x door hinge pins	TIG901
12	Inner grate	FFVE3006	26	4 x glass retainers	FFVE4042
13	Rear fire brick	FFVE2013	27	Stove left side panel	FFVE5036
14	Right fire brick	FFVE3012R	28	2 x bottom fire brick	FFVE4042

## COMPONENT PARTS – CLASSIC 8 ECO

Many spare parts are stocked – please refer to your retailer or supplier if you require any replacement parts. Please only use components made specifically for your stove.



ITEM	DESCRIPTION	CODE	ITEM	DESCRIPTION	CODE
1	Left fire brick	FFVE3012L	15	Riddling mechanism <b>BLACK</b>	FFVE3044
2	Glass panel	FFVE3018	16	Riddling mechanism <b>WW</b>	
3	Front bar	FFVE4011	16	Stove legs <b>BLACK</b>	FFVE9010
4	Stove top panel <b>BLACK</b>	FFVE9003	16	Stove legs <b>WW</b>	FFVE9010CE
4	Stove top panel <b>WW</b>	FFVE9003CE	17	Outer grate	FFVE3005
5	Secondary air control plate <b>BLACK</b>	FFVE5023	18	Stove bottom panel <b>BLACK</b>	FFVE9002
5	Secondary air control plate <b>WW</b>	FFVE5023BSC	18	Stove bottom panel <b>WW</b>	FFVE9002CE
6	Flue collar <b>BLACK</b>	FFVE008	19	Ash Pan	FFVE2014
6	Flue collar <b>WW</b>	FFVE008CE	20	Primary air slide plate	FFVE2020
7	Baffle plate	FFVE3007	21	Stove tool	FFVE029
8	Heat shield	FFVE2032	22	Stove door <b>BLACK</b>	FFVE9004NFP
9	Flue blanking plate <b>BLACK</b>	FFX009	22	Stove door <b>WW</b>	FFVE9004NFPCE
9	Flue blanking plate <b>WW</b>	FFX009CE	23	Primary air control knob <b>BLACK</b>	FFVE022B
10	Stove rear panel	FFVE3034	23	Primary air control knob <b>WW</b>	FFVE22BSC
11	Stove right side panel <b>BLACK</b>	FFVE6037	24	Handle assembly <b>BLACK</b>	FFVE8016
11	Stove right side panel <b>WW</b>	FFVE6037CE	24	Handle assembly <b>WW</b>	FFVE8016SC
12	Inner grate	FFVE3006	25	2 x door hinge pins <b>BLACK</b>	TIG901
13	Rear fire brick	FFVE2013	25	2 x door hinge pins <b>WW</b>	TIG901SC
14	Right fire brick	FFVE3012R	26	2 x bottom fire brick	FFVE4042
			27	Stove left side panel <b>BLACK</b>	FFVE6036
			27	Stove left side panel <b>WW</b>	FFVE6036CE

## TECHNICAL FICHE

1	SUPPLIER NAME OR TRADEMARK	PERCY DOUGHTY
2	MODEL IDENTIFIER	FIREFOX 8 ECO
3	ENERGY CLASS	A+
4	DIRECT HEAT OUTPUT	5.0kW
5	INDIRECT HEAT OUTPUT	N/A
6	ENERGY EFFICIENCY INDEX	112.0%
7	ENERGY EFFICIENCY AT NOMINAL HEAT OUTPUT	84.0%
8	SPECIFIC PRECAUTIONS	SEE MANUAL

1	SUPPLIER NAME OR TRADEMARK	PERCY DOUGHTY
2	MODEL IDENTIFIER	CLASSIC 8 ECO
3	ENERGY CLASS	A+
4	DIRECT HEAT OUTPUT	5.0kW
5	INDIRECT HEAT OUTPUT	N/A
6	ENERGY EFFICIENCY INDEX	112.0%
7	ENERGY EFFICIENCY AT NOMINAL HEAT OUTPUT	84.0%
8	SPECIFIC PRECAUTIONS	SEE MANUAL

# THE GALLERY COLLECTION

For North of England Sales please contact:

**Percy Doughty & Co**

Imperial Point, Express Trading Estate,  
Stone Hill Road,  
Farnworth, Bolton. BL4 9TN  
Tel: 01204 868 550  
Fax: 01204 868 551  
Email: [sales@percydoughty.com](mailto:sales@percydoughty.com)  
Website: [www.galleryfireplaces.co.uk](http://www.galleryfireplaces.co.uk)

For South of England Sales please contact:

**Capital Fireplaces Ltd**

Unit 12-17 Henlow Trading Estate,  
Henlow Camp  
Bedfordshire. SG16 6DS  
Tel: 01462 813138  
Freefax: 0800 980 4847  
Email: [sales@capitalfireplaces.co.uk](mailto:sales@capitalfireplaces.co.uk)  
Website: [www.capitalfireplaces.co.uk](http://www.capitalfireplaces.co.uk)