

BROSELEY

Installation & Operating Instructions

**Model(s): Lincoln, Canterbury & Stamford
Conventionally Flued Natural Gas Stoves**



PLEASE LEAVE THESE INSTRUCTIONS WITH THE USER

Broseley Fires do not provide flue pipes, closure plates or any other associated accessory.

Please note gas installations MUST only be carried out by installers who are Gas Safe registered.

Contents

Introduction	3
Packing List	3
Specification	4
Dimensions	4
Hearth Requirements	5
Chimney Requirements	6
Assembly	
Burner Installation	7
Fitting the TTb sensor	8
Fitting the Reflector Plate	9
Gas Connection & Pressure Testing	10
Positioning the Coals	11
Decorative Log Retainer (Lincoln & Stamford)	13
Handle Installation (Canterbury)	13
Spillage Testing	14
Operating the Stove	15
Curing the Paint & Warning Notes	16
Trouble-shooting	17
Servicing Instructions	18
Commissioning Form	19
Annual Service Record	20
Guarantee	21

Introduction

THANK YOU FOR PURCHASING A GAS FIRED STOVE

Broseley Fires Ltd, a family run company, was founded as an appliance and design development company in 1975. Since then we have built up an enviable reputation for the quality, reliability and fuel efficiency of our stoves.

These instructions have been carefully prepared to guide the installer and end-user through the relevant methods and standards for installation of your new Gas Stove.

Correctly installed and operated, your stove will give you many years of warmth and reliability. Therefore, we would suggest that you read the whole instruction manual prior to handing it to your installer. That way you will have a clearer picture of what is involved. It is required by law that the complete assembly, installation and commissioning of gas-fired stoves is carried out by a professionally qualified and accredited gas fitter listed on the "Gas Safe" register.

Please Note:

- **THE INSTALLATION MUST BE CARRIED OUT BY A GAS SAFE REGISTERED ENGINEER IN ACCORDANCE WITH THE 'GAS SAFETY INSTALLATION AND USE REGULATIONS' IN CONJUNCTION WITH THESE INSTRUCTIONS.**
- **THE RELEVANT 'BRITISH STANDARDS CODES OF PRACTICE' REQUIREMENTS AND THE RELEVANT 'LOCAL AND NATIONAL BUILDING REGULATIONS' MUST BE ADHERED TO.**
- **A COMMISSIONING CERTIFICATE MUST BE LEFT WITH THE END CUSTOMER UPON FINAL COMPLETION.**
- **THE COMMISSIONING FORM MUST BE COMPLETED IN THE BACK OF THESE INSTRUCTIONS PRIOR TO HANDOVER TO THE END CUSTOMER.**
- **THE PRODUCT MUST BE SERVICED ANNUALLY AND THE SERVICE RECORD COMPLETED IN THESE INSTRUCTIONS BY THE GAS SAFE ENGINEER.**

Packing List

Burner Box

1 x burner unit
1 x stainless reflector Plate
2 x large coal matrices
4 x small front coals
14 x small loose coals
1 x instruction booklet
4 x burner fixing and screws
(2 x Self Tapping to hold to the rear of the stove)
2 x Spacers for burner
3 x Self Tapping Screws (for the reflector plate)
4 x Self tapping screws (for spigot connection)

Stove Box

1 x cast iron stove body
4 x legs & bolts
1 x flue spigot

Canterbury Only

1 x Handle (including Allen bolt and grub screw)

Lincoln & Stamford Only

1 x Decorative log retainer

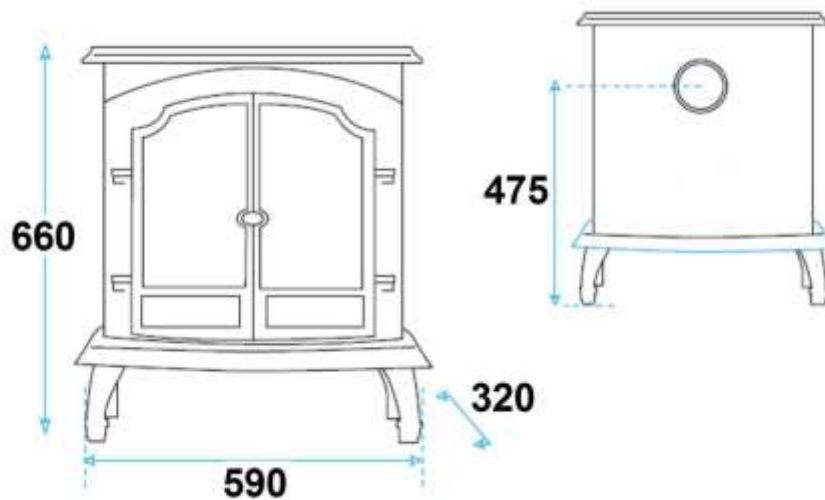
Specification

Heat Input (Gross)	5.5Kw
Supply Pressure	20 mbar
Gas Rate	0.66 m ³ /Hr
Injector Size	360
Spigot diameter	125mm (5")

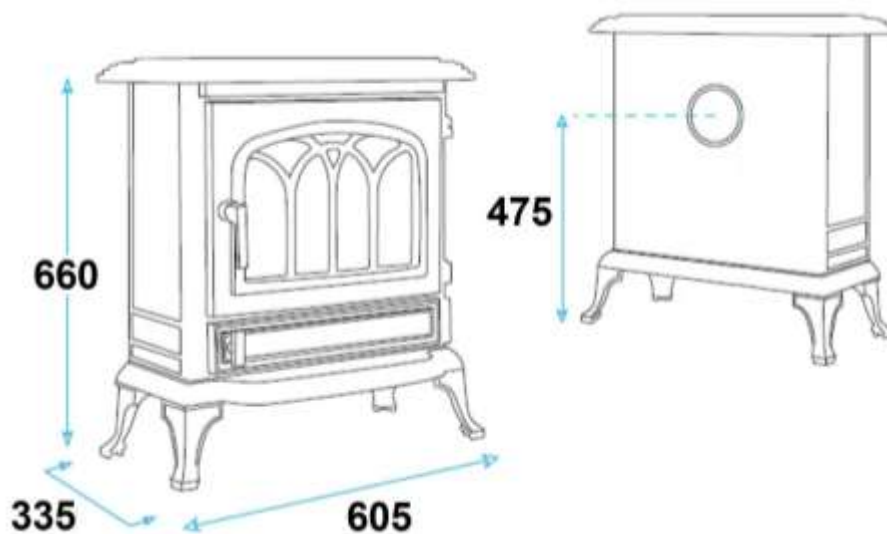
Please note this product is designed to only use natural gas.

Dimensions

Lincoln – Weight 64Kg



Canterbury – Weight 66Kg



All dimensions are in millimetres

Hearth Requirements

The appliance needs to be located onto a solid non-combustible hearth with a minimum thickness of 12mm. The hearth must be capable of withstanding the weight of the appliance.

To ensure correct combustion the following minimum clearances must be adhered to

	Material	Dimension
Rear	Non-Combustible	25mm
Side	Combustible	610mm
	Non-Combustible	100mm

Hearth Protrusion (in front of the appliance) 50mm
Shelf Distance (combustible material) 610mm

Please note these are **minimum** clearances, whenever possible it is advisable to have as much clearance as possible around the stove for easy access and maintenance.

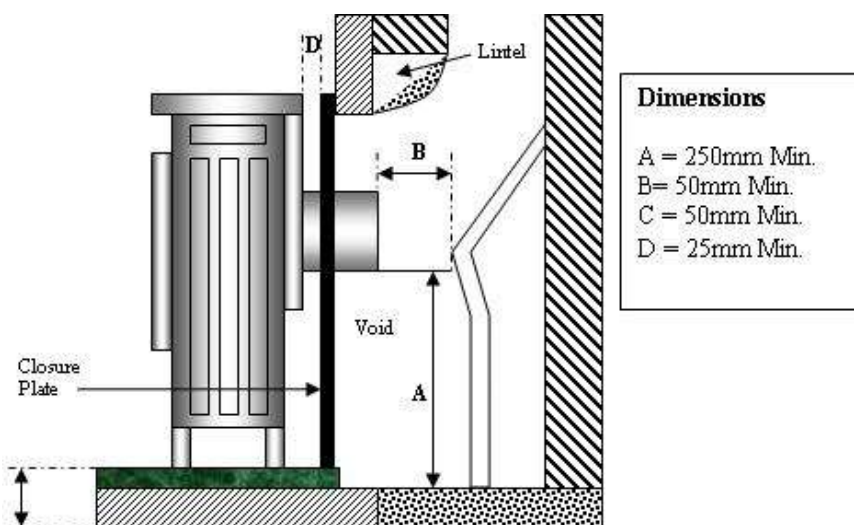
Please note the gas supply connection to the appliance is in the centre underneath the stove. The connection requires an 8mm-diameter semi-rigid pipe, not more than 1 metre in length.

Chimney Requirements

Please note Broseley Fires do not provide flue pipes, closure plates or any other associated accessory.

IMPORTANT – This appliance can only be rear flued, the top outlet connection is for decorative purposes only.

Here is a typical example of an installation with a class 1 flue, please note we do not supply chimney closure plates. The appliance can be installed in any adequate area suitable for solid fuel fires and stoves. It can use a class 1, class 2 and pre-cast flue. For pre-cast flue installations it is **ESSENTIAL** that a sealed connection is made into the actual flue system. Please refer to the codes of best practice for further advice on pre-cast flues. The 150mm pipe supplied can be cut down in length but **CANNOT** be extended.



Before you install the stove, make sure the chimney flue outlet is correctly positioned to align with the flue outlet on the stove and that the chimney is in good condition. If not, a chimney liner must be installed or a suitable class II gas flue used. A draught is necessary to ensure the products of combustion are fully evacuated.

Ideally it is recommended that the flue run is as straight as possible. The flue must have a minimum vertical height of 3 metres to insure adequate draught. You can have a maximum of four bends in the run, each bend must not exceed 45° and an additional metre of vertical flue should be provided for each bend.

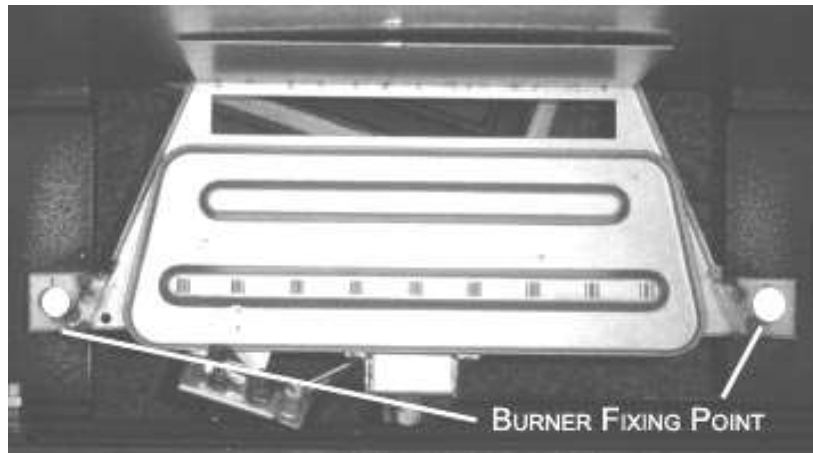
Prior to installation, the installer should insure that the flue is free from obstruction and any dampers must be fixed in a permanently open position. Ensure the chimney is not closed and that it has been swept and subsequently smoke tested.

Make sure that rain, birds or any foreign body cannot get into the chimney to cause damage or blockage. This problem can normally be overcome by fitting an approved gas cowl. It is essential for the effective running of your stove that the chimney draws properly to allow the products of combustion to escape.

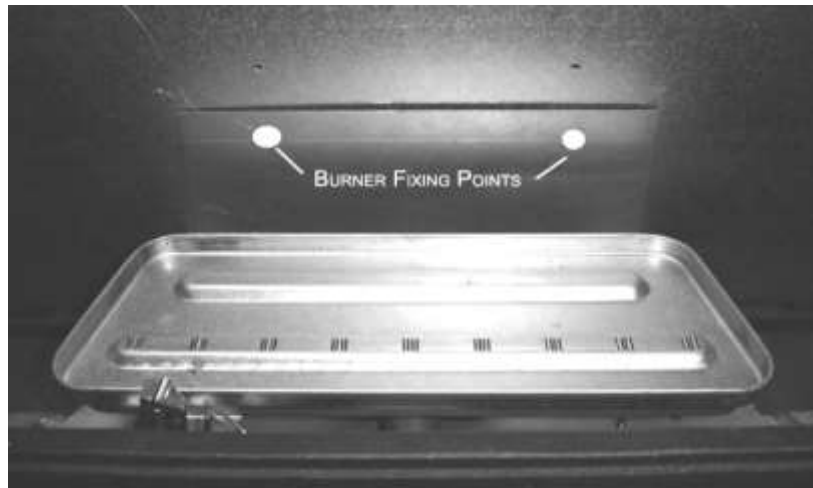
Assembly - Burner Installation

Ensure all components are present prior to commencing assembly (See Packing List on page 3). You will need a short pozi-drive screwdriver and a set of spanners. On the Lincoln the gas burner is fitted into the stove body through the top of the stove (by removing the lid). On the Canterbury you can fit the burner through the main door (by unwinding the handle anti clockwise).

- 1) Remove the stove body from its packaging and lay it down on its back.
- 2) Attach the four legs using the supplied bolts.
- 3) Stand the stove up on its legs. On the Lincoln & Stamford remove the lid by un-doing the four fixing bolts. For the Canterbury simply open the main door.
- 4) Insert the burner into the stove locating the burner bracket on to the fixing lugs provided. Insert the burner end with the control knob first followed by the other end of the burner locating the burner bracket onto the up stands provided. Please note with the Lincoln and Stamford models 2 spacers are required. These spacers are to be located on top of the lugs and under the burner brackets. The longer screws are then used. Use the burner fixing screws to secure the burner in place.

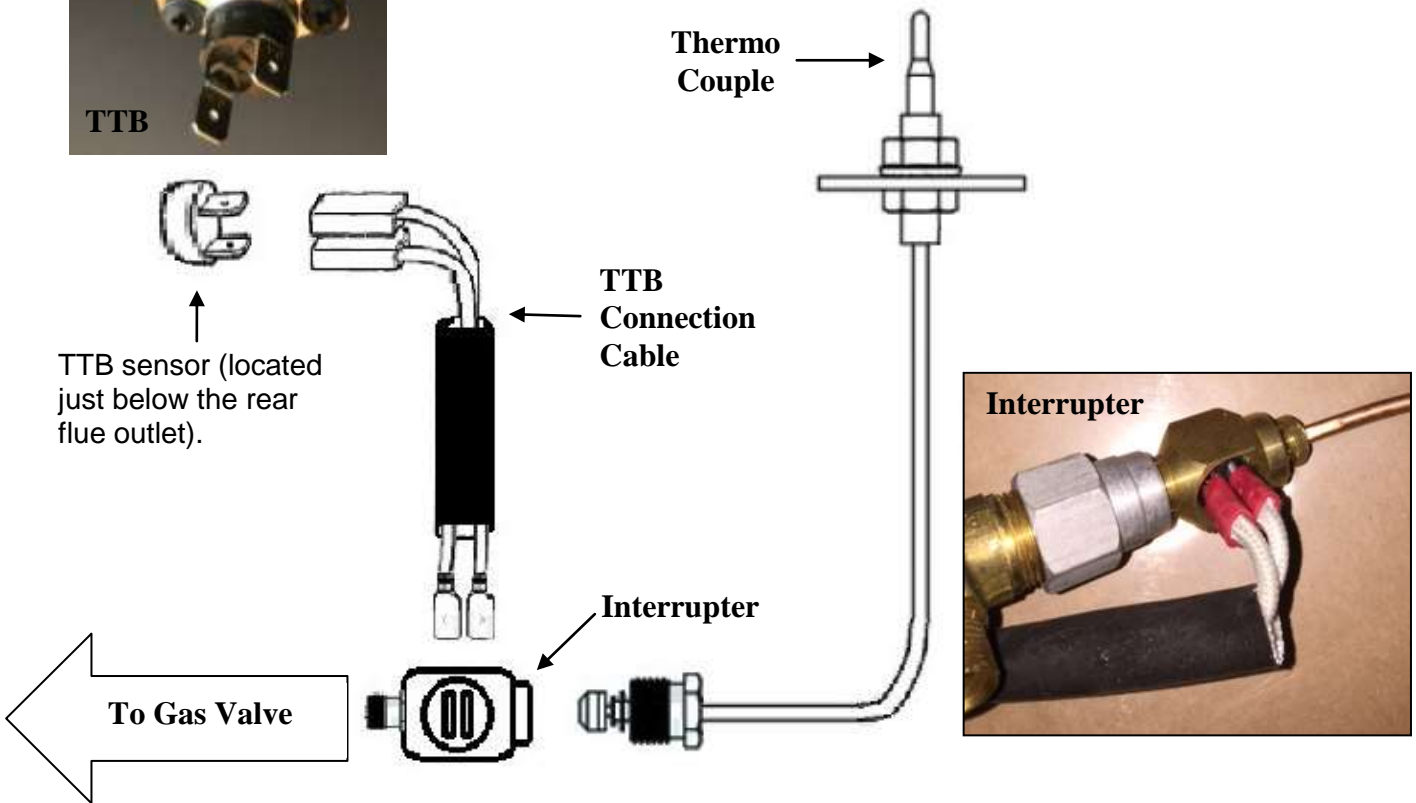


- 5) Next fix the rear of the burner bracket to the rear of the stove (dilution box) using the self tapping screws and washers provided.



Assembly - Fitting the TTB sensor

With the burner installed, thread the TTB connection cable from the interrupter to the TTB sensor (mounted on the rear panel of the stove).

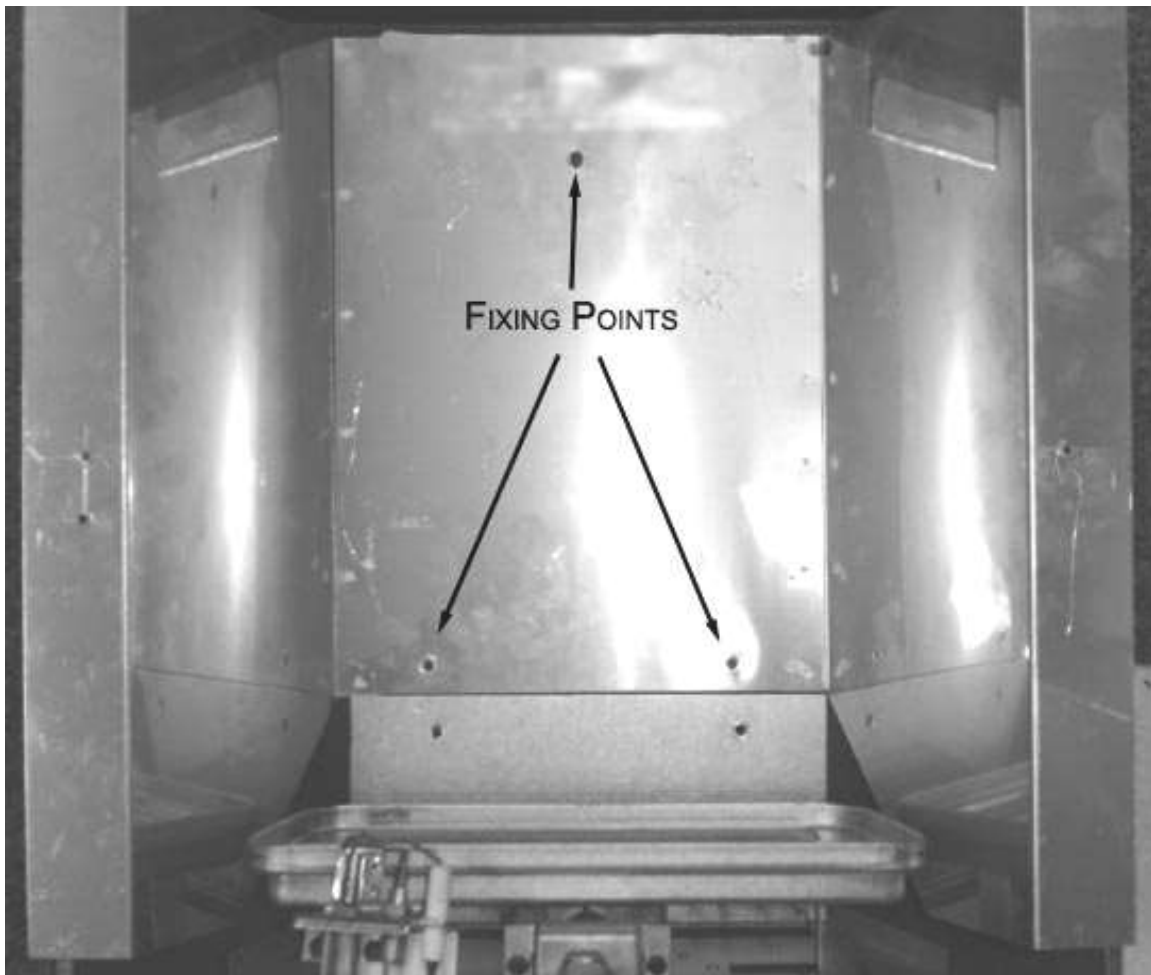


Assembly - Fitting the Reflector Plate

Although the reflector plate can be fitted into the Canterbury through the door, removing the lid will make things easier if you have any difficulties.

Remove the protective film once the plate has been fitted.

To insert the reflective plate into the stove insert the bottom of the plate first, then give the plate a slight bend inwards on both sides and finally bring the top of the plate into place. The reflector plate simply drops down through the top of the stove and is then secured in place using the fixings provided.



Flue Spigot Connection

Attach the supplied 150mm long flue spigot to the rear of the stove using the four self-tapping screws provided.

Assembly - Gas Connection & Pressure Testing

A minimum 15mm-diameter gas supply pipe must be used to within 1 metre of the installation with the final connection to the stove to be completed with the suitable 8mm semi-rigid gas pipe. The 8mm pipe should be connected to the inlet of the gas valve using the nut and 8mm olive provided. Support the control whilst finally tightening the supply pipe.

The gas supply connection to the appliance is in the centre underneath the stove. The connection requires an 8mm-diameter semi-rigid pipe, not more than 1 metre in length.

Pressure Testing

Always make sure that there is adequate gas pressure and volume to the stove. The relevant pressures are on the ID plate on the gas control knob.

1. **For natural gas, this is 20mbar** measured at the inlet connection to the stove with the appliance in the full rate position.
2. Ensure that the gas pressure to the stove is maintained when it is operating at the same time as other appliances in the building and that a suitable pressure gauge is used i.e. a manometer. **Any service call as a result of incorrect gas pressure will be chargeable.**

Ventilation (GB only)

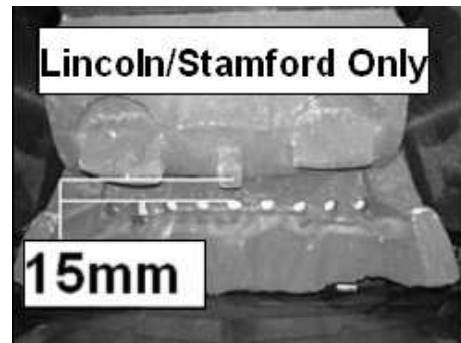
The gas stove is rated at less than 7kw and therefore does not normally require additional ventilation in the room (BS5871 – part II).

Assembly - Positioning the Coals

Only the ceramics supplied with this appliance should be used. The ceramics should only be laid as described. Before any ceramics are placed in position ensure that the pilot is not obstructed and the burner is operating correctly. Broseley Fires Ltd accepts no responsibility for any injury sustained whilst handling hot ceramics. Ceramics which are found to be placed other than in accordance with these instructions will result in a charge being made following any service callout. Replacement ceramics are available from your dealer.

Stage One

Position the front and rear coal matrices on the burner as shown (right). For Lincoln and Stamford Models ensure that the gap between these two ceramics is 15mm (as measured from the centre of the Rear Matrix).



Stage Two

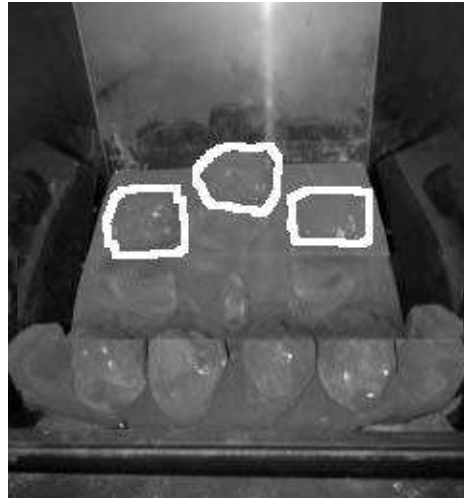
Position the four separately packed coals in the corresponding indentations on the front edge of the coal bed. *These 4 coals are larger and have a flat area on one side which should be positioned in the four indentations in the coal bed.*



Assembly - Positioning the Coals

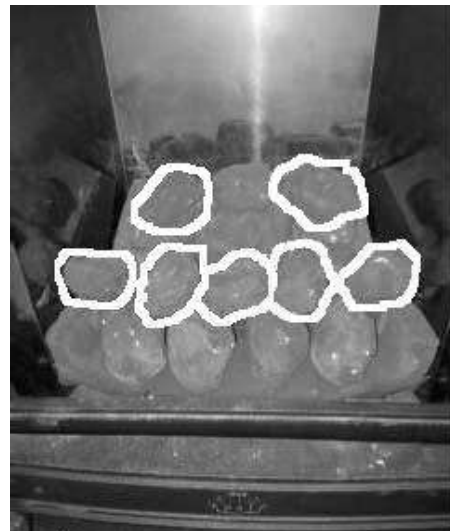
Stage Three

Position a coal on each of the platforms on the rear coal ceramic.



Stage Four

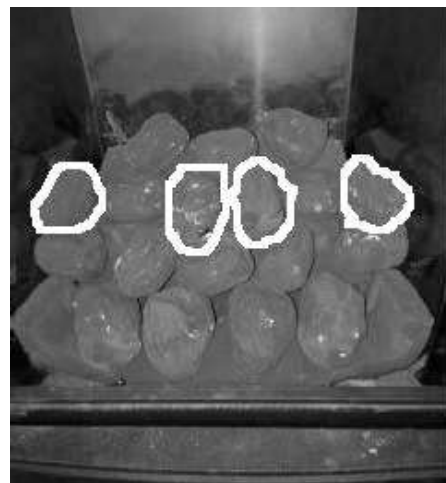
Place a coal on the end of either side resting between the rear matrix and the front matrix. Next to this place three more coals across the gap between the front row of coal and the rear matrix in the centre. Place two additional coals on top of the two top coals left and right as shown.



Stage Five

Place the final layers of coals carefully as shown.

Once coal positioning is complete, the lid should be re-attached to the stove.



Assembly – Decorative Log Retainer (Lincoln & Stamford Only)

With the doors of the stove fully open, Using the recesses supplied forward of the glass panel locate the castellation plate taking care not to damage/scratch the glass. Slide the plate towards the bottom of the unit and locate in the recess at the bottom of the glass.

Note: Once installed the castellation should be towards the top of the unit.



Assembly – Door Handle Installation (Canterbury Only)

1. Push the stove door closed, place the washer (supplied) over the threaded rod followed by the hex nut (supplied) tighten the hex nut and washer against the stove door. Tighten to ensure the door is sealed and make sure that the flat on the nut is vertically parallel.



2. Slide the door handle over the hex nut ensuring that the handle is in the downwards position. Using the Allen key and grub screw (supplied) secure the handle in position.

Spillage Testing

A Spillage Test **MUST** be made before the installed fire is left with the customer.

ST1 - PREPARATIONS FOR SMOKE TEST

1. Visually inspect the appliance installation to ensure all aspects are correct.
2. Close all doors, windows, and any adjustable ventilators.
3. Turn off any extractor fans in the same or adjoining compartments.
4. Light the appliance and allow a 10 minute warm up period before starting the test.
5. Fix a smoke match into a smoke match holder.

*Note: If the flue passes this check, it will be re-tested with these fans operating.
See below at ST3*

ST2 - TEST PROCEDURE

1. Light the smoke match.
2. The lit match is held 5-10mm inside the lower lip of the draught diverter, situated across the rear of the appliance.
3. The match is moved along the entire length of the draught diverter, observe the smoke.
4. All the smoke should be drawn into the flue, and removed to the outside air. Any temporary or momentary back-spillage may be discounted.
5. If continuous smoke spillage occurs, allow a further warm-up period of 10 min and re-check as described here, ST2.

ST3 - RE-TEST WITH ANY EXTRACTOR FANS IN THE SAME OR ADJOINING COMPARTMENTS, OPERATING AT MAXIMUM EXTRACT

1. Switch on any fans. If there are any fans in adjoining compartments, they should be operated on full with any connecting doors open.
2. Carry out the re-test as described above.
3. All smoke should be drawn into the flue and removed to the outside air.
4. Any temporary or momentary back-spillage may be discounted.

ST4 - POST-TEST PROCEDURE

Turn off the appliance and return the system to its pre-test condition.

Operating the Stove

It is important to read these instructions thoroughly before lighting the stove.

The gas stove operates with a traditional permanent pilot light.

The knob for ignition and power control are located on the lower right hand side of the stove.

The pilot light is located at the left corner of the coal matrix.

If the Flame Supervision Device Actuating Flame (the pilot light) is extinguished by intention or not, no attempt should be made to re-light **until 3 minutes have elapsed.**

IGNITING THE PILOT AND USING THE HIGH/LOW FUNCTION

1. Depress the control knob fully.
2. Whilst depressed, turn knob sharply 90 degrees anti-clockwise to “pilot” setting. Repeat until pilot light is visibly lit. You should feel some resistance and hear a click. Repeat until the pilot lights.
3. **Keep knob depressed at this point for 15-20 seconds.**
4. Upon releasing, turn the knob anti-clockwise to select the low flame setting. Turning the control further anti-clockwise you will be able to select the high flame setting.
5. From the high setting you can select low by depressing the control slightly and turning clockwise

EXTINGUISHING THE STOVE FULLY

1. From any heat setting or the permanent pilot, depress control knob and turn clockwise to “OFF” position.

Should the glass door become broken or damaged in any way, turn your stove off and do not attempt to re-light it. Contact your dealer for a replacement to be fitted before relighting the appliance.

PLEASE EXPLAIN TO THE CUSTOMER THESE LIGHTING AND EXTINGUISHING PROCEDURES AND THAT IT IS NORMAL FOR THE STOVE TO GIVE OFF ODOURS WHILST THE PAINT, SEALANT AND CAST IRON MATURES.

Curing the Paint

It is important to note that upon initial lighting of the stove you will notice a strong odour, this is the paint curing and is completely normal.

Most high temperature paints operate in the same way. They use a resin which dries at room temperature and a silicon resin which cures at high temperatures. When the stove is burned the dry resin burns away and the silicon cures. This transition occurs at about 475°F.

Curing times will vary for each stove, we recommend leaving the fire on high for an extended period. The house needs to be fully ventilated during these initial burnings and although the smoke is mostly Carbon Dioxide there are other components of the smoke which make it smell bad and may irritate some people. These problems will go away after the paint is fully cured.

Please note switching off the appliance when you first notice the smell will simply prolong the curing process, as recommended above the fire needs to be left on in the high setting.

Warning Notes

We would remind you that it is a legal requirement that the stove is installed by a qualified and accredited GAS SAFE installation engineer. Improper installation, adjustment, alteration, service or maintenance can cause personal injury and / or damage to property. If you are in the slightest doubt about any aspect of your stove's performance or you require additional information then please contact your stove supplier, a qualified installation engineer or call our technical help-line on 01743 461444.

Please do not store, keep or use petrol or any other flammable liquids, vapours or substances anywhere near the stove or any other heating appliance.

We hope these instructions are clear and helpful and you are able to enjoy the full benefits of your stove. Please keep this booklet handy for future reference.

The materials used in building your gas stove are guaranteed for one year provided the assembly and operation complies with these instructions. Accidental damage and all consumables including the glass door seal are not covered.

We are sure you will appreciate and accept that our guarantee cannot be extended to cover the assembly, installation and the use of your stove as these are all operations outside our control or influence.

Please retain your purchase receipt. We will need to see this in the event of a claim under warranty.

Trouble-shooting

The gas pilot will not ignite or stay lit

- Ensure the gas is turned on at the appliance and the meter / cylinder.
- Hold the pilot gas button for at least 20 seconds once the pilot is alight to ensure the operation of the safety thermocouple valve.
- Ensure that the pilot injector is not obstructed or blocked and it is free from any dust or dirt.
- Ensure that the thermocouple has not been damaged in transit. This is a very delicate device.
- Ensure the pilot flame is the correct size for the type of gas. The flame should be focused on the thermocouple probe, so that it is evenly encircled.
- Any whistling sound you hear is normally caused by dirt obstructing the pilot. This is normally cured by carrying out the cleaning process outlined in the next section entitled Servicing Instructions.
- After altering the pilot, check for any leakage of gas

The main burner does not seem to burn correctly

- Ensure there is adequate gas pressure to the appliance. The pressure can be obtained by unscrewing the pressure test nipple and applying a suitable pressure gauge (I.E. A MANOMETER). Be sure that the gas pressure agrees with the identification label on your stove.
- Ensure adequate volume of gas is being used. Once the fire is burning on maximum turn off all other gas appliances in the house and calculate the fuel being burned from the gas meter
- See that the burner is burning evenly across the whole of the burner surface without any coals in place.

Servicing Instructions

Servicing should be carried out annually by a qualified installation engineer when the stove is cold and the gas supply is turned off at the isolation tap. The following points should be checked.

- Remove the coals and clean any dust and debris from the top of the burner unit. Ideally a vacuum cleaner should be used, but a soft brush will do.
- Check the condition of the coals. Any damaged ones will affect the efficient operation of the stove and should be replaced with new ones available from your stove supplier.
- All gas supply joints should be checked to make sure they are completely sealed and that the gas supply and pressure is to specification.
- The pilot jets are correctly set and clear of obstruction.
- The chimney should also be checked to make sure there are no restrictions or blockages.
- Finally re-lay the coals and re-light the stove as described previously.

Commissioning Form

**THIS SECTION MUST BE COMPLETED AND SIGNED BY THE
INSTALLATION ENGINEER**

PLEASE LEAVE WITH THE CUSTOMER AND THE APPLIANCE.

Size of Governor setting: (i.e.) Natural Gas 20MBAR. LPG 37MBAR)

Length and size of gas supply: _____

Meter pressure Fire only on: _____

All Other appliances on: _____

Burner pressure Fire only on: _____

All Other appliances on: _____

Gas rate - Natural Gas - Time for 1 cubic foot in seconds: _____

Overall length of flue: _____

Is there any spillage: _____ Is the draught excessive: _____

Is there any permanent ventilation in the room: _____

Has the room double glazing: _____

Is the aeration of the pilot correct: _____

Does the flame encircle the FFD: _____

Installation Engineers Name: _____

Address _____

Post Code: _____

Telephone: _____ Fax: _____ Mobile: _____

Gas Safe Registration No: _____

Signed: _____ Date: _____

*1st service is due a
year from this date*

Annual Service Record

1ST YEAR SERVICE completion date:

SERVICE ENGINEER: _____ REG. No. _____
COMPANY NAME: _____
COMPANY ADDRESS: _____

CONTACT NUMBER _____ POSTCODE: _____

2ND YEAR SERVICE completion date:

SERVICE ENGINEER: _____ REG. No. _____
COMPANY NAME: _____
COMPANY ADDRESS: _____

POSTCODE: _____

3RD YEAR SERVICE completion date:

SERVICE ENGINEER: _____ REG. No. _____
COMPANY NAME: _____
COMPANY ADDRESS: _____

POSTCODE: _____

4TH YEAR SERVICE completion date:

SERVICE ENGINEER: _____ REG. No. _____
COMPANY NAME: _____
COMPANY ADDRESS: _____

POSTCODE: _____

5TH YEAR SERVICE completion date:

SERVICE ENGINEER: _____ REG. No. _____
COMPANY NAME: _____
COMPANY ADDRESS: _____

POSTCODE: _____

6TH YEAR SERVICE completion date:

SERVICE ENGINEER: _____ REG. No. _____
COMPANY NAME: _____
COMPANY ADDRESS: _____

POSTCODE: _____

Receipts should be retained for each year's service beyond year 6

Guarantee

Your decorative gas fire, when installed in accordance with the installation instructions and operated in accordance with these instructions should provide many years of safe and efficient operation.

We thank you for purchasing our product and trust it will provide excellent service.

This appliance carries a guarantee of One (1) Year.

We agree to repair free of charge or, at our option, replace the appliance or part thereof, which may prove to be defective within the guarantee period.

The guarantee is void if:

- The appliance is not installed and operated in accordance with our instructions, or
- Repairs or modifications have been carried out by the purchaser or any third party not authorised by us or:
- The appliance has been misused or accidentally damaged, or
- Damage is due to 'fair wear and tear.' or
- The appliance or defective component(s) are not returned to us, prepaid postage.
- The appliance has not been serviced annually by a 'Gas Safe Registered' engineer.

The rights given in this guarantee are limited to the UK mainland and are in addition to any to which you may have a statutory entitlement.

Please retain your purchase receipt. We will need to see this in the event of a claim under warranty.

Broseley Fires Ltd
First Floor, Unit B
Knights Court, Archers Way
Battlefield Enterprise Park
Shrewsbury
Shropshire
SY1 3GA
Tel: 01743 461444
Fax: 01743 461446
<http://www.broseleyfires.com>